

400 W. Artesia Blvd.
Compton, CA 90220
Fax: (310) 747-3912
Ph: 1-800-776-0767
E-Mail: info@procompusa.com
Website: www.procompusa.com

Latest Revision:
7.29.2021



PRO COMP SUSPENSION

NOTE: THIS KIT DESIGNED FOR USE WITH FACTORY RAM DRIVESHAFT, ANY OTHER DRIVESHAFT IS NOT RECOMMENDED. CALL THE PRO COMP TECH DEPARTMENT WITH ANY QUESTIONS.

NOTE: Depending on engine combination, the front driveshaft may contact the exhaust system upon the installation of this kit. If so the exhaust system will need to be modified by a qualified exhaust shop.

IMPORTANT!: Tire and wheel choice is crucial in assuring proper fit, performance, and the safety of your Pro Comp equipped vehicle. See the wheel and tire recommendations on page 6.

IMPORTANT! DO NOT install this lift kit on TRX4 models

56747B/56747BMX

K2075B/K2075BMX/ K2075BP/ K2075T/ K2075M

**2009 –2011 RAM 1500 4WD IFS with 5-Link Rear Suspension
Lift Kit**

This document contains very important information that includes warranty information and instructions for resolving problems you may encounter. Please keep it in the vehicle as a permanent record.

Box 1 of 6 PN 56747B-1

PART #	DESCRIPTION	QTY.	ILLUS.	PAGE
91-5057	REAR CROSSMEMBER	1	7	10
90-6485	HARDWARE PACK: Crossmember	1	-	-
.180C1500HCS1	18mm X 150mm 10.9 HEX BOLT	4	7,8	10
.180CNUCZ	18mm- 1.5 STOVER NUT	4	7,8	10
.180NWUSZ	18mm FLAT WASHER	8	7,8	10
90-6486	HARDWARE PACK: Cam Block Off Plates	1	-	-
90-3602	CAM BLOCK OFF PLATE	8	7,8	10
7525	HARDWARE PACK: Front Brake Line	1	-	-
7525-1	FRONT BRAKE LINE	2	-	-
90-2602	SWAY BAR END LINK EXTENSION	2	16	13
91-1714	DIFFERENTIAL DROP: Driver	1	3,4	8
90-4136	RAM WIRING HARNESS: (PN# 04801487AA)	1	-	-
90-6259	HARDWARE PACK: Diff Drop	1	-	-
70-0503501800	1/2" X 3 1/2" Gr. 8 HEX BOLT	4	3,4,5	8,9
70-0502751800	1/2" X 2 3/4" Gr. 8 HEX BOLT	7	3,4,5	8,9
70-0502001800	1/2" X 2" Gr. 8 HEX BOLT	2	3,4,5	8,9
72-050100816	1/2" USS Gr. 8 STOVER NUT	13	3,4,5	8,9
73-05000034	1/2" SAE Gr. 8 WASHER	26	3,4,5	8,9
90-6350	HARDWARE PACK: Differential Drop	1	-	-
91-1711	SPACER PLATE	1	5	9
91-1712	SIDE PLATE: INNER	1	5	9
91-1710	SIDE PLATE: OUTER	1	5	9
91-1718	DIFFERENTIAL DROP: Passenger	1	3,4	8

Box 2 of 6 PN 56747B-2

90-4138	STEERING KNUCKLE: Driver	1	-	-
90-60020	HARDWARE PACK: Front Brake Lines	1	-	-
90-5578	BRAKE LINE BRACKET	2	15	13
90-6626	HARDWARE PACK: Front Brake Lines	1	-	-
70-0250751800	1/4" X 3/4" Hex Bolt Gr. 8	2	15	13
72-025100512	1/4" Nylock Nut	2	15	13
73-02500030	1/4" SAE Flat Washer	4	15	13
90-3240	-6 Adel Clamp	4	15	13
70-0251501800	1/4" X 1 1/2" Hex Bolt Gr. 8	4	15	13
72-025100512	1/4" Nylock Nut	4	15	13
73-02500030	1/4" SAE Flat Washer	8	15	13

Box 3 of 6 PN 56747B-3

90-4139	STEERING KNUCKLE: Passenger	1	-	-
---------	-----------------------------	---	---	---

Box 4 of 6 PN 56747B-4

91-2319	COMPRESSION STRUT	2	24a	18
91-1435	COMPRESSION STRUT MOUNT	2	24b	18

PART #	DESCRIPTION	QTY.	ILLUS.	PAGE
90-6234	HARDWARE PACK: Compression Strut	1	-	-
70-0501251800	1/2" X 1" 1/4" Gr. 8 HEX BOLT	2	24b	18
70-0504001800	1/2" X 4" GR. 8 HEX BOLT	4	24a	18
72-050100816	1/2" USS GR. 8 STOVER NUT	4	24a,b	18
73-05000034	1/2" SAE GR. 8 FLAT WASHER	10	24a,b	18
90-1582	NUT PLATE	2	24b	18
90-6263	HARDWARE PACK: Compression Strut	1	-	-
15-11148	BUSHING, URETHANE	8	24a	18
90-2109	SLEEVE, COMPRESSION STRUT	4	24a	18
91-5452	FRONT CROSSMEMBER	1	8	10
91-5065	TRANSMISSION MOUNT: Upper	1	20,22	15,16
91-5487	TRANSMISSION MOUNT: Lower	1	21,20	16
90-6697	HARDWARE PACK: Transmission Mount Lower	1	-	-
14241	7/16" STUDS	4	21	16
90-6698	HARDWARE PACK: Spare Tire Spacer	1	-	-
90-5486	SPARE TIRE SPACER	1	-	-
90-6495	HARDWARE PACK: Transmission Spacer	1	-	-
15-11255	BUSHING	2	20	15
90-2310	SLEEVE	1	20	15
90-6496	HARDWARE PACK: Transmission Spacer	1	-	-
70-0564001800	9/16" X 4" GR. 8 HEX BOLT	1	22	16
72-056100816	9/16" STOVER NUT	1	22	16
73-05600034	9/16" SAE WASHER	2	22	16
73-04300034	7/16" SAE WASHER	4	22	16
73-04300836	7/16" SPLIT LOCK WASHER	4	22	16
72-043200810	7/16" HEX NUT	4	22	16
90-4125	TRANSFER CASE INDEX RING	1	17	14
90-6407	HARDWARE PACK: Index Ring	1	-	-
70-0371501806	3/8" X 1 1/2" COUNTERSUNK ALLEN HEAD BOLT	6	17	14
90-4126	TRANSMISSION SEAL ADAPTER	1	18	14
90-4127	DRIVESHAFT SPACER	1	23	17
90-6408	HARDWARE PACK: Driveshaft Spacer	1	-	-
71-120651751000	12mm- 1.75 X 65mm 10.9 HEX BOLT	4	23	17
73-01208840	12mm FLAT WASHERS	4	23	17
90-4230	TRANSMISSION SEAL: (PN# 1-05019020AA)	1	18	14
90-6780	HARDWARE PACK: Transmission Spacer	1	-	-
90-1215	LARGE WASHER: (1) Not Used	4	22	16

PART #	DESCRIPTION	QTY.	ILLUS.	PAGE
91-5462	REAR CONTROL ARM DROP BRACKET: Drvr	1	25,26	21,22
91-5468	REAR CONTROL ARM DROP BRACKET: Pass	1	25,26	21,22
90-5472	NUT PLATE: Control Arm Bracket	2	25	21
90-6694	HARDWARE PACK: Rear Control Arm Drop	1	-	-
70-0624251800	5/8" X 4 1/4" Gr. 8 HEX BOLT	4	26	22
72-062100816	5/8" STOVER NUT	4	26	22
73-06200034	5/8" HARDENED FLAT WASHER	8	26	22
70-0501501800	1/2" X 1 1/2" HEX BOLT Gr. 8	2	25	21
73-05000034	1/2" HARDENED FLAT WASHER	2	25	21
90-6695	HARDWARE PACK: Rear Sway Bar End Link	1	-	-
91-2446	REAR SWAY BAR END LINK	2	32	24
600040	5/8" BUSHINGS: Top	2	-	-
T-SLEEVE	SLEEVE: Sway Bar: Top	2	-	-
73-05000042	1/2" USS Gr. 8 FLAT WASHER: Top	2	-	-
600006	5/8" BUSHING: Bottom	2	-	-
P-843	HARDWARE PACK: Sway Bar End Link	2	-	-
61297-2P	SHOCK STUD	1	32	24
61803	1/2" LOCK WASHER	1	32	24
61804	1/2" NUT	1	32	24
45281	3/8" SPACER	1	32	24
91-5474	REAR COIL SPACER BRACKET: Drvr	1	27,28,29,30	23,24
91-5479	REAR COIL SPACER BRACKET: Pass	1	27,28,29,30	23,24
91-5484	REAR TRACK BAR BRACKET	1	30,31	24
90-6696	HARDWARE PACK: Rear Coil Spacer Bracket	1	-	-
70-0371001800	3/8" X 1" Gr. 8 HEX BOLT	4	29	24
72-037100816	3/8" STOVER NUT	4	29	24
73-03700034	3/8" HARDENED FLAT WASHER	8	29	24
70-0431001800	7/16" X 1" HEX BOLT Gr. 8	8	27,28,29,30	23,24
72-043100816	7/16" STOVER NUT	8	27,28,29,30	23,24
73-04300034	7/16" HARDENED FLAT WASHER	16	27,28,29,30	23,24
70-0563001800	9/16" X 3" Gr. 8 HEX BOLT	1	31	24
72-056100816	9/16" STOVER NUT	1	31	24
73-05600034	9/16" HARDENED FLAT WASHER	2	31	24
90-2521	SLEEVE: Track Bar Drop	1	31	24
90-5485	REAR BRAKE LINE DROP	2	33	25
90-6299	HARDWARE PACK: Rear Brake Lines	1	-	-
70-0311001800	5/16" X 1" HEX BOLT Gr. 8	2	33	25
72-0531100816	5/16" NYLOCK NUT	2	33	25
73-03100034	5/16" HARDENED FLAT WASHER	4	33	25
90-6699	HARDWARE PACK: Rear Coil Spacers	1	-	-
90-5500	1/4" COIL SPACERS	6	-	-
90-6702	HARDWARE PACK: Rear Shock Tool	1	-	-
90-5545	96-5545 REAR SHOCK WRENCH	1	-	-

Box 6 of 6 PN 56747B-6

PART #	DESCRIPTION	QTY.	ILLUS.	PAGE
91-2600	STRUT SPACER	2	11	11
90-6317	HARDWARE PACK: Spacer Mount	1	-	-
72-043200810	7/16" Gr. 8 HEX NUT	6	10,11	11
73-04300830	7/16" SAE FLATWASHER	6	10,11	11
73-04300836	7/16" SPLIT LOCK WASHER	6	10,11	11
930001	REAR SHOCK	2	-	-
90-7035	STRUT PRELOAD SPACER	4	11	11

OR Box 6 of 7 PN 56747BMX-6

626500	COIL OVER	1	10	11
90-6492	HARDWARE PACK: Coil over mounting spacers	1	-	-
90-2433	UPPER SPACERS -10 MONOBALL	4	10	11
91-3622	COIL OVER MOUNT	1	10	11
90-6317	HARDWARE PACK: Spacer Mount	1	-	-
72-043200810	7/16 Gr. 8 PLATED HEX NUT	6	10,11	11
73-04300830	7/16 SAE FLATWASHER ZINC	6	10,11	11
73-04300836	7/16 SPLIT LOCK WASHER	6	10,11	11
MX6165	MX6 SHOCKS	1	-	-

Box 7 of 7 PN 56747BMX-7

626500	COIL OVER	1	10	11
90-3010	COIL OVER WRENCH: Large	1	-	-
90-3011	COIL OVER WRENCH: Small	1	-	-
90-6318	HARDWARE PACK: Coil Over Mount	1	-	-
70-0502751800	1/2" X 2 3/4" BOLT	2	10	11
73-05000830	1/2" SAE FLATWASHER ZINC	4	10	11
72-050100816	1/2 UNITORQUE NUT	2	10	11
91-3622	COIL OVER MOUNT	1	10	11
MX6165	MX6 SHOCKS	1	-	-

Box 6 of 6 PN 56747BP-6 (K2075BP)

91-2600	STRUT SPACER	2	11	11
90-6317	HARDWARE PACK: Spacer Mount	1	-	-
72-043200810	7/16" Gr. 8 HEX NUT	6	10,11	11
73-04300830	7/16" SAE FLATWASHER	6	10,11	11
73-04300836	7/16" SPLIT LOCK WASHER	6	10,11	11
ZX2001	REAR SHOCK	2	-	-
90-7035	STRUT PRELOAD SPACER	4	11	11

PART #	DESCRIPTION	QTY.	ILLUS.	PAGE
Or Box 6 of 6 PN 56746B-6 (K2075T/K2075M)				
91-2600	STRUT SPACER	2	11	11
90-6317	HARDWARE PACK: Spacer Mount	1	-	-
72-043200810	7/16" Gr. 8 HEX NUT	6	10,11	-
73-04300830	7/16" SAE FLATWASHER	6	10,11	-
73-04300836	7/16" SPLIT LOCK WASHER	6	10,11	-
Box 90-7035 (K2075T/M)				
90-7035	STRUT PRELOAD SPACER	4	11	-
Box 930001B (K2075T)				
930001B	REAR SHOCK	2	-	-
Box PR2001 (K2075M)				
PR2001	REAR SHOCK	2	-	-

Special Tools:

Please refer to your service manual for more information.
A special removal tool is required for safe removal of the tie rods.
These tool may be purchased at your local Ram dealer.
You may be able to rent any of these tools at your local parts store.

Optional Equipment Available from your Pro Comp Distributor!

1 1/4" Alternate Rear Lowering Kit*

PN 91-7175B *See pg. 25 for additional info

Also, check out our outstanding selection of Pro Comp tires
compliment your new installation!

Introduction:

- ◆ This installation requires a professional mechanic!
 - ◆ We recommend that you have access to a factory service manual for your vehicle to assist in the disassembly and reassembly of your vehicle. It contains a wealth of detailed information.
 - ◆ Prior to installation, carefully inspect the vehicle's steering and driveline systems paying close attention to the tie rod ends, ball joints and wheel bearing preload. Additionally, check steering-to-frame and suspension-to-frame attaching points for stress cracks. The overall vehicle must be in excellent working condition. Repair or replace all worn or damaged parts!
 - ◆ Read the instructions carefully and study the illustrations before attempting installation! You may save yourself a lot of extra work.
 - ◆ Check the parts and hardware against the parts list to assure that your kit is complete. Separating parts according to the areas where they will be used and placing the hardware with the brackets before you begin will save installation time.
 - ◆ Check the special equipment list and ensure the availability of these tools.
 - ◆ Secure and properly block vehicle prior to beginning installation.
 - ◆ **ALWAYS** wear safety glasses when using power tools or working under the vehicle!
 - ◆ Use caution when cutting is required under the vehicle. The factory undercoating is flammable. Take appropriate precautions. Have a fire extinguisher close at hand.
 - ◆ Foot pound torque readings are listed on the Torque Specifications chart at the end of the instructions. These are to be used unless specifically directed otherwise. Apply thread locking compound where specified.
 - ◆ *Please note that while every effort is made to ensure that the installation of your Pro Comp lift kit is a positive experience, variations in construction and assembly in the vehicle manufacturing process will virtually ensure that some parts may seem difficult to install. Additionally, the current trend in manufacturing of vehicles results in a frame that is highly flexible and may shift slightly on disassembly prior to installation. The use of pry bars and tapered punches for alignment is considered normal and usually does not indicate a faulty product. However, if you are uncertain about some aspect of the installation process, please feel free to call our tech support department at the number listed on the cover page. We do not recommend that you modify the Pro Comp parts in any way as this will void any warranty expressed or implied by the **Pro Comp Suspension** company.*
- ⇒ **IT IS ADVISABLE THAT YOU HAVE HELP AVAILABLE WHEN INSTALLING THIS KIT. SOME COMPONENTS ARE HEAVY AND AWKWARD. AN ADDITIONAL SET OF HANDS IS GOOD INSURANCE AGAINST INJURY!**

Tire Information:

- ⇒ **Due to differences in manufacturing, dimensions and inflated measurements, tire and wheel combinations should be test fit prior to installation. Tire and wheel choice is crucial in assuring proper fit, performance, and the safety of your Pro Comp equipped vehicle. For this application, we recommend a minimum of a 18" wheel not to exceed 9" in width with a maximum backspacing of 5" must be used. Additionally, a quality tire of radial design, not exceeding 35" tall X 12.50" wide is also recommended. Please note this kit will clear a 37" X 12.50" tire, but may require minor trimming of the front valence and rear lower portion of the inner fender. Installation of 20" wheels, with a maximum backspacing of 5", may be possible. Be sure to check fit all wheel and tire combinations before purchasing and installation. Violation of these recommendations will not be endorsed as acceptable by Pro Comp Suspension and will void any and all warranties either written or implied.**

IMPORTANT!: 18" OR LARGER WHEELS WITH 5" MAXIMUM BACKSPACING MUST BE USED IN CONJUNCTION WITH THIS LIFT KIT!

Front Installation:

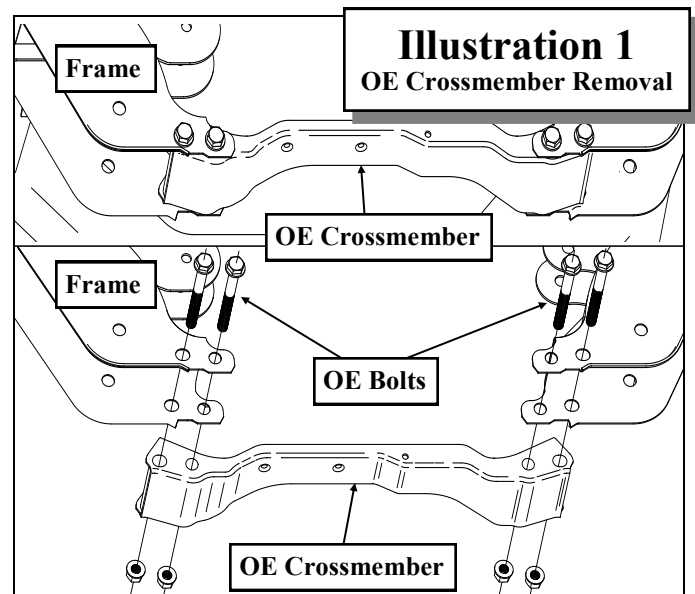
1. Prior to installing this kit, with the vehicle on the ground. Measure the height of your vehicle. This measurement can be recorded from the center of the wheel, straight up to the top of the inner fender lip. Record the measurements below.

LF: _____ RF: _____

LR: _____ RR: _____

2. Ensure that your work space is of adequate size and the work surface is level. Place the vehicle in neutral. Place your floor jack under the front cross member and raise vehicle. Place jack stands under the frame rails behind the front wheel wells and lower the frame onto the stands. Remove the jack and place the vehicle back in gear, set the emergency brake, and place blocks both in front of and behind the rear wheels. Remove the wheels.
3. Remove any skid plates or debris shields from the bottom of the vehicle.
4. Unbolt the sway bar from the sway bar end links. Save the hardware for reuse.
5. If your vehicle is equipped with ABS brakes, disconnect the wiring and secure it clear of the work area where it will not get damaged.
6. Remove the disc brake calipers and secure them clear of the work area.
NOTE: Be careful that you do not hang the caliper from the brake lines, it will cause damage to the brake lines!
7. Remove the disc brake rotors.
8. Remove the nuts from the tie rod ends. Using the tie rod end puller, remove the tie rods from the OE spindle. Be very careful that you do not damage the dust guard or the tie rod ends. Save the nuts for reuse.
9. Remove the CV axle nut from the front bearing cartridge. This will require a **36mm** socket. Keep these nuts for reuse.
10. Loosen but **DO NOT** remove the control arm bolts.

11. The CV shafts are retained in the differential by small, round snap rings and sealed with "O" rings. At the inner CV joint, carefully strike the housing with a soft or dead blow hammer at the inner portion, toward the outside of the vehicle to free the shaft from the front differential.
12. Support the lower control arm with a jack. Remove the three upper strut mounting nuts. **DO NOT** loosen the middle strut nut.
13. Loosen the lower strut retaining nut. Remove the nut from the bolt and remove the strut from the vehicle.
14. Remove the upper ball joint nuts. Carefully separate the upper ball joints from the steering knuckle using the appropriate tool. Save these nuts for reuse.
15. While leaning the OE spindle outward, slide the inner CV joint clear of the differential and very carefully pull the outer CV joint clear of the wheel-bearing cartridge in the knuckle.
*NOTE: The CV shaft is heavy and it may be easier to have someone assist you in its removal. It is **EXTREMELY** important that you do not damage the CV boots!*
16. Remove the lower ball joint nuts from the lower ball joints. Using the appropriate tool, remove the knuckle from the lower ball joint. Save these nuts for reuse. Place knuckle aside.



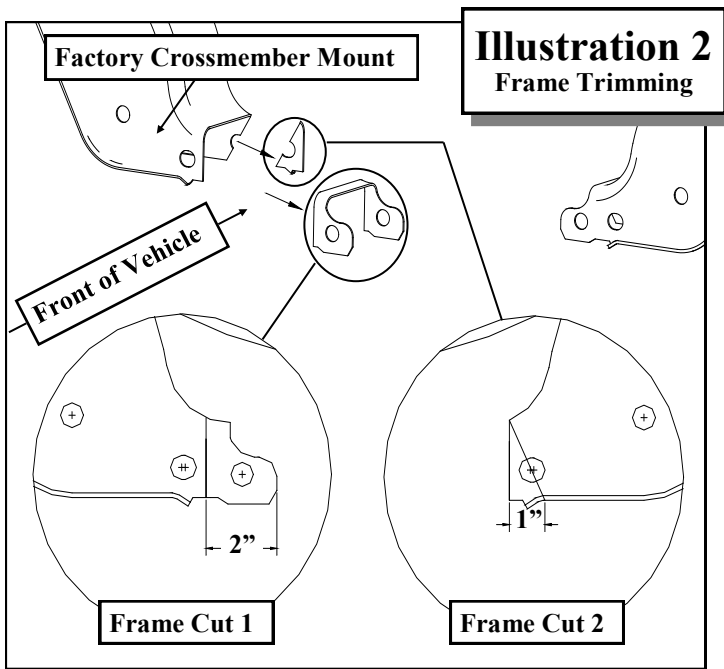


Illustration 2
Frame Trimming

ber and hardware after removal. See ILLUSTRATION 1.

21. While supporting the differential, remove the front differential mounting hardware and carefully lower the differential assembly to the floor. Save this hardware for reuse.
22. The driver's side lower rear A-arm mounting pocket must be trimmed in order to clear the differential in it's lowered position. Measure inward 2" from the edge factory crossmember mount and scribe a line. Repeat on the opposite side of the pocket. Make a continuous line connecting the two marks over the top edge of the pocket. Trim the mount along

ATTENTION: The following steps are critical to your lift kit installation. At any time if you can not complete a step, or are unsure if a procedure, call our tech support line immediately.

17. Unbolt and remove the lower A-arms from the frame. Save the OE hardware for reuse.

18. Remove the front differential vent line and unclip the factory wiring harness. Secure them clear of the work area.

19. Mark the front driveshaft and transfer case with indexing marks to ensure that it is reinstalled in the same position. Remove the front driveshaft from the vehicle.

NOTE: Do not let the drive shaft hang down, tie up immediately after unbolting. Failure to do this may cause the boot to pinch and crack.

20. Unbolt and remove OE rear crossmember brace from the frame. Discard the crossmem-

the scribed line using an abrasive cut-off wheel or reciprocating saw. See ILLUSTRATION 2, frame cut 1.

23. On the front edge of the newly cut frame measure in 1" from the bottom edge and mark the frame. Scribe a diagonal line from the previously made mark to the top edge of the newly cut frame edge. See ILLUSTRATION 2, frame cut 2.

24. After cutting the sections out of the frame, thoroughly clean and de-burr all cut surfaces. Paint the exposed metal area with a good quality paint.

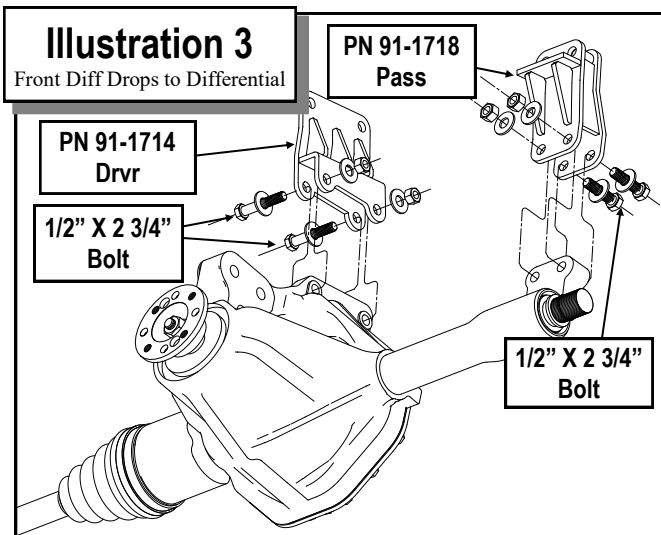


Illustration 3

Front Diff Drops to Differential

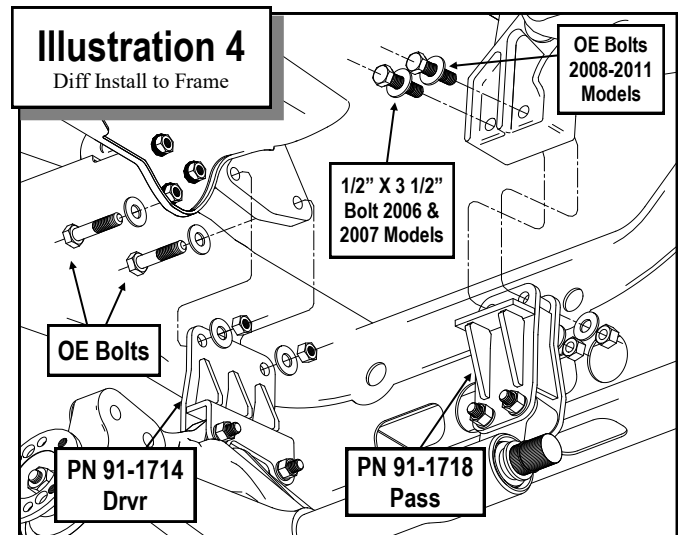


Illustration 4

Diff Install to Frame

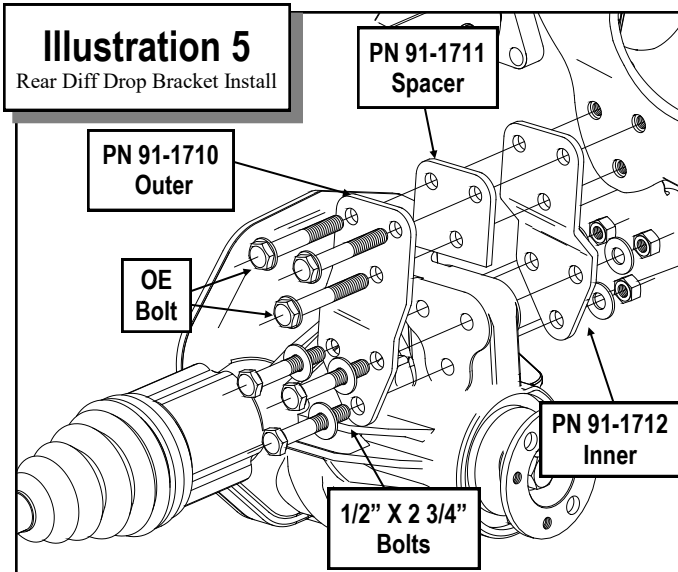


Illustration 5
Rear Diff Drop Bracket Install

25. Locate the front differential wiring harness. Using the provided wiring extension harness (90-4136). Be sure to leave enough slack for the differential when it is in its final lowered position. Be sure to secure the wiring harness out of the way of any moving parts.
26. Install the passenger side differential drop (PN 91-1718) to the differential as shown in ILLUSTRATION 3. Use (2) of the 1/2" X 2 3/4" bolts, (4) 1/2" flat washers and (2) 1/2" Stover nuts from hardware pack (90-6259).
27. Install the driver side differential drop (PN 91-1714) to the differential using (2) more of the 1/2" X 2 3/4" bolts, (4) 1/2" flat washers and (2) 1/2" Stover nuts from hardware pack 90-6259. See ILLUSTRATION 3.

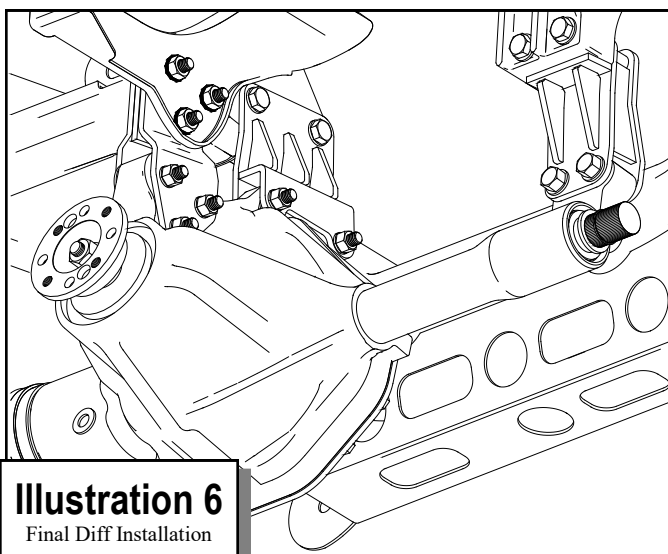


Illustration 6
Final Diff Installation

28. Raise the differential into the truck and suspend the assembly using the (2) previously removed OE bolts for the 2009-2011 models), (4) 1/2" flat washers and (2) 1/2" Stover nuts on the passenger side. On the driver side use (2) 1/2" X 2" bolts, (4) 1/2" flat washers and (2) 1/2" Stover nuts all provided from hardware pack (90-6259). See ILLUSTRATION 4.
29. Assemble the final, (3) piece drop consisting of PN's (91-1710, 91-1711, and 91-1712) in the order shown in ILLUSTRATION 5. Use the (3) OE bolts at the top and (3) new 1/2" X 2 3/4" bolts, (6) 1/2" flat washers and (3) 1/2" Stover nuts from hardware pack (90-6259) at the bottom.
30. Tighten all differential mounting hardware to 65 ft./lbs. at this time.
31. Reattach the differential breather line and wiring harness extension to the differential.
32. Install the front cross member (91-5452) into the front A-arm pockets using the provided 18mm X 150mm bolts, nuts and provided cam block off plate (90-3602). Leave hardware loose at this time. See ILLUSTRATION 7.

NOTE: The offset in the crossmember goes to the front and the bolt heads face toward the rear of the vehicle.
33. Install the rear cross member (91-5057) into the rear A-arm pockets using the provided 18mm X 150mm bolts, nuts and provided cam block off plate (90-3602). Leave hardware loose at this time. See ILLUSTRATION 8.
34. Install the lower A-arms into position with the OE cam bolt and nut. Be sure the head of the bolt oriented toward the front of the vehicle. See ILLUSTRATION 9. **DO NOT** torque the cam bolts until the vehicle is back on the ground.
35. With the lower A-Arms installed, torque the 18mm crossmember mounting bolts to 220 ft./lbs.
36. **WITH THE COIL OVERS:** insert the mono ball spacers (90-2433) from pack (90-6492) in the top of the coil over as shown in

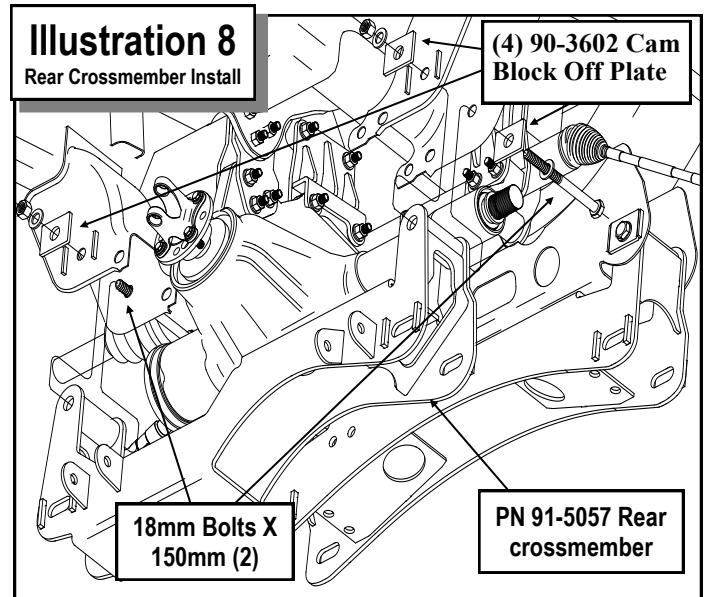
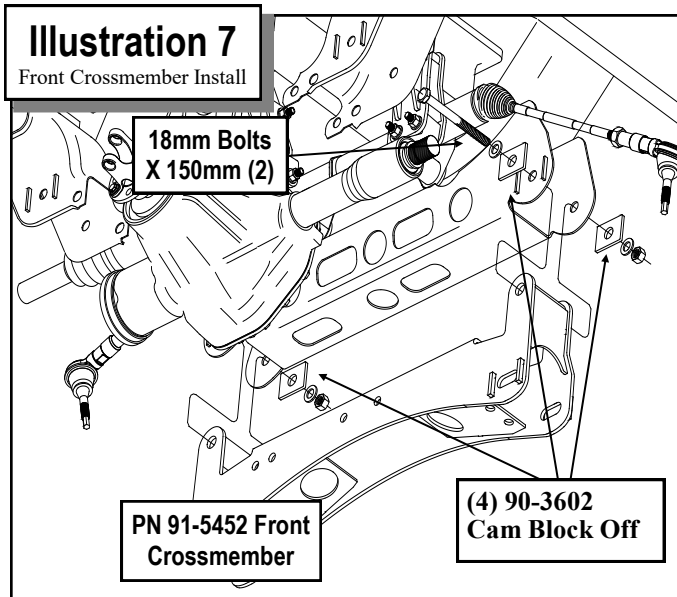


ILLUSTRATION 10.

37. Insert the mono ball spacers (90-2433) from pack (90-6492) in the bottom of the coil over as shown in ILLUSTRATION 10.

NOTE: The spacers are a tight fit. A press might be needed to fit the spacers into the mono balls.

38. Install the new Pro Comp coil over shock (626500) to the upper bracket (90-3622) with

the supplied 1/2" X 2 3/4" hardware from hardware pack (90-6318). Fasten upper bracket to truck using the supplied 7/16" hardware on the top from hardware pack (90-6317) and torque to 45-50 ft./lbs. See ILLUSTRATION 10.

NOTE: Supplemental Instructions for MX kit Coil Over Installation are located in box 56007BMX-5.

STEPS 39 THROUGH 43 ARE TO BE COMPLETED ON 2010 VEHICLES THAT SIT LOWER IN THE FRONT FROM THE FACTORY ONLY!:

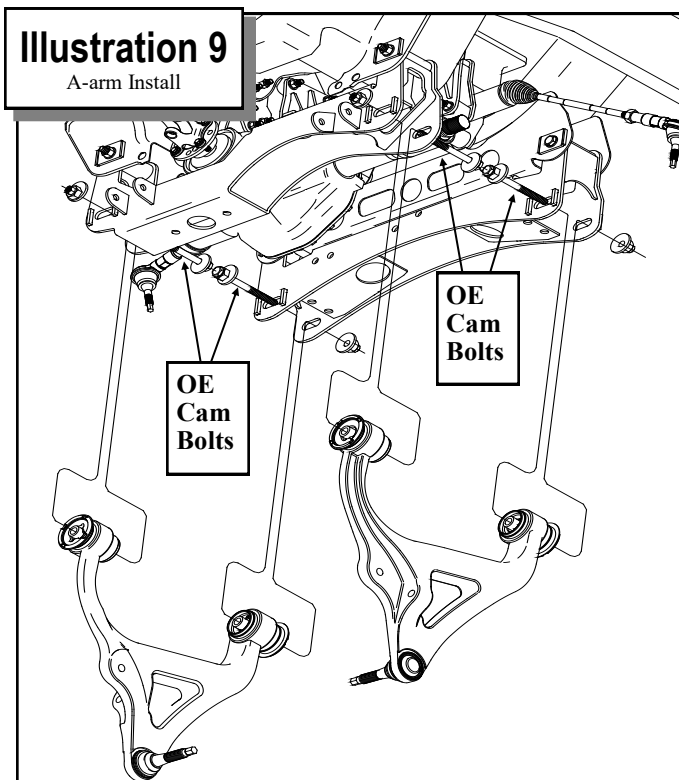
39. **WITH THE STRUT SPACERS:** Scribe an index mark on the top of the OE coil spring to the upper strut mounting plate.

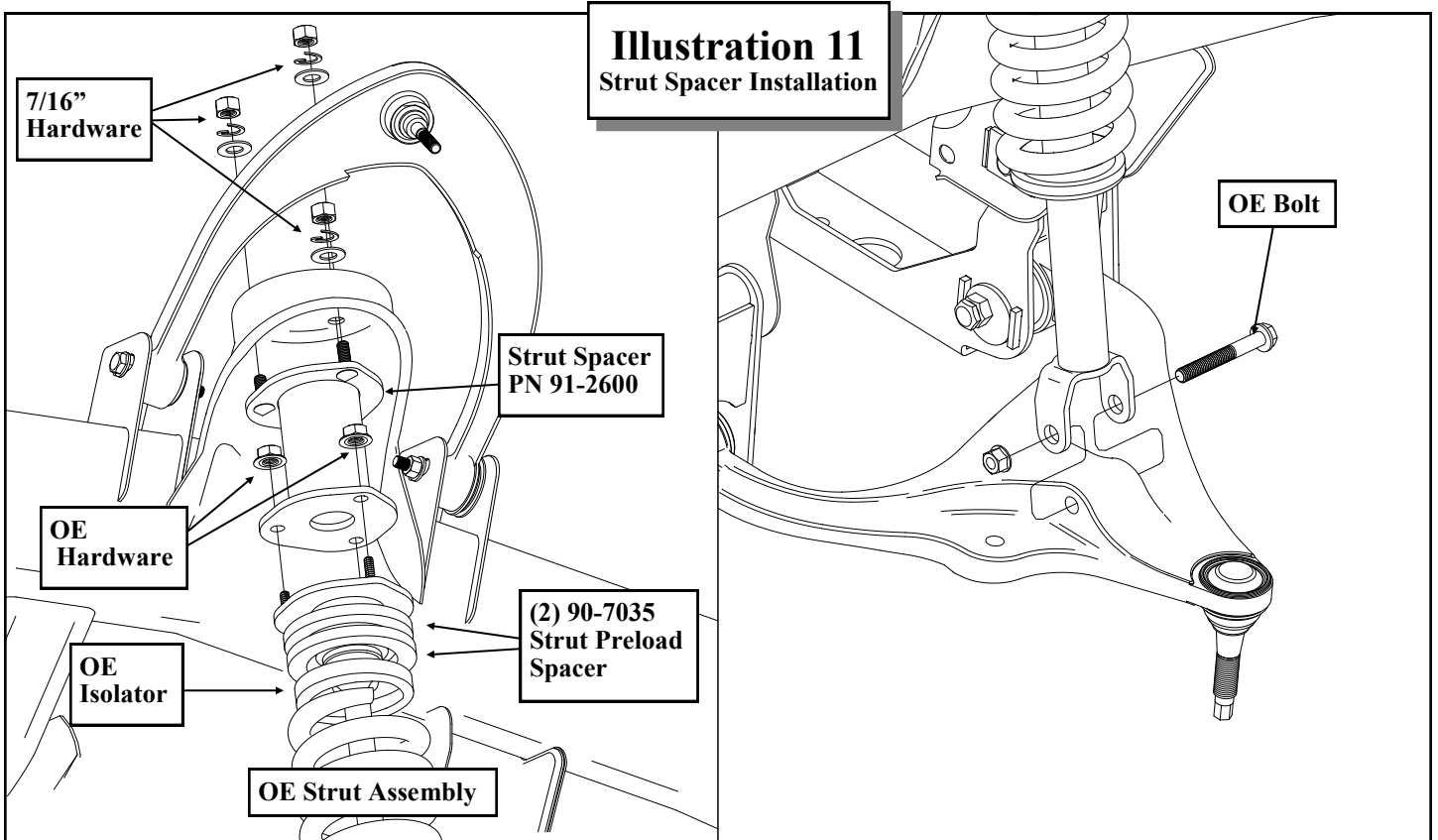
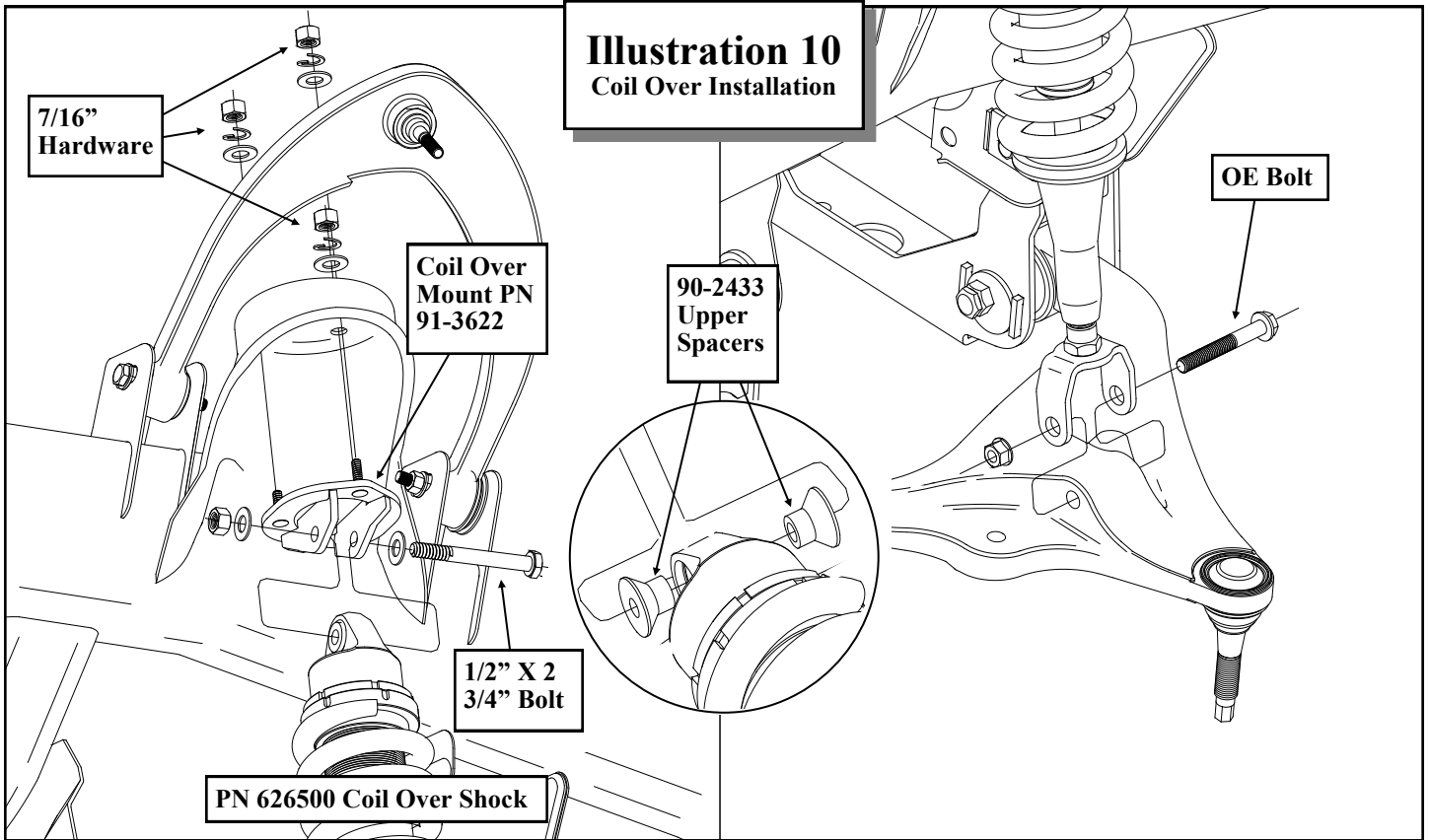
CAUTION: The coil is under extreme pressure and severe bodily injury may occur if the coil spring is disassembled without using a coil spring compressor.

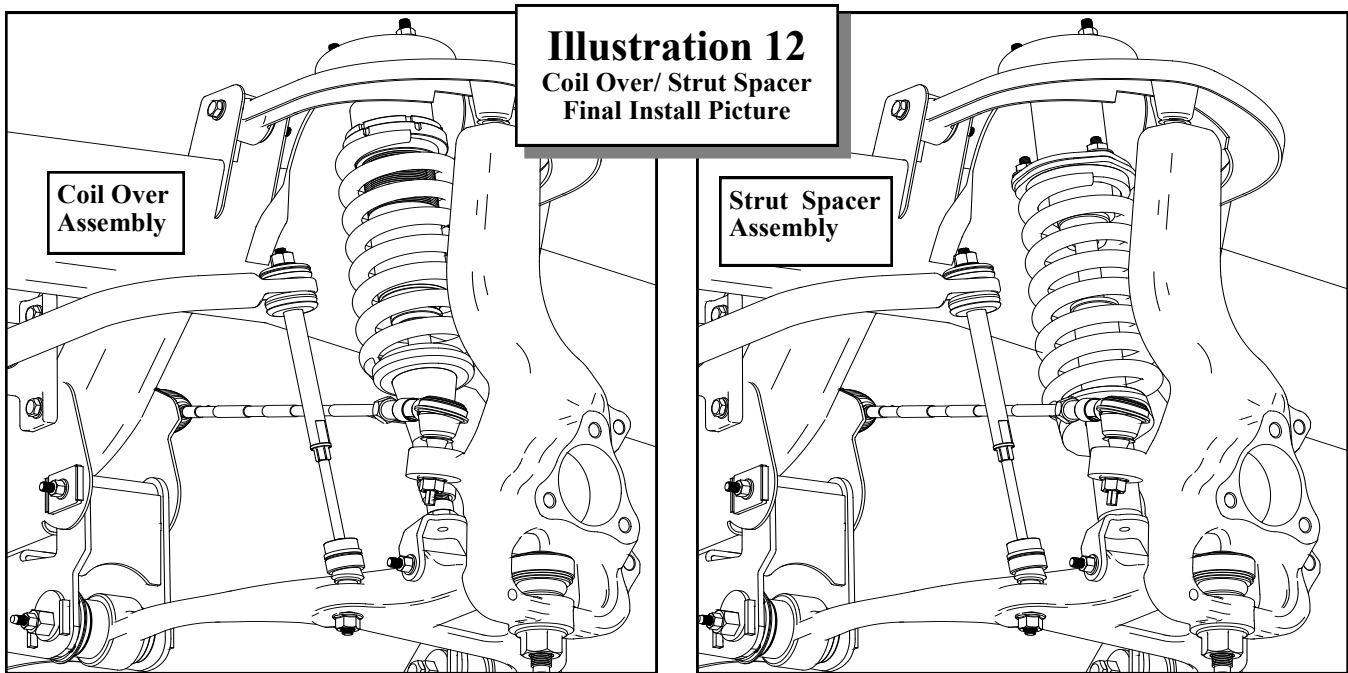
40. Compress the coil spring on the strut assembly with a suitable coil spring compressor so that the coil spring has about 3/8" play in the strut and remove the upper strut mounting plate retaining nut.

NOTE: Do not use an impact gun to remove the retaining nut. It will damage the strut shaft.

NOTE: Inspect the front shock assembly for any damage or fluid leakage. Replace if







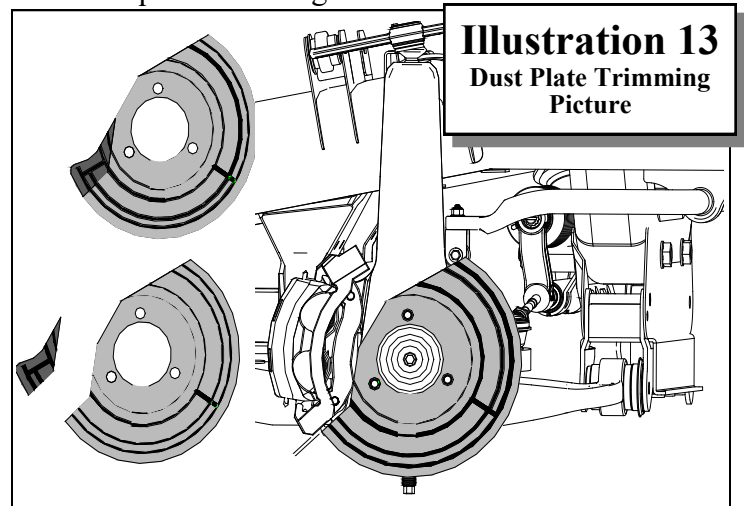
necessary.

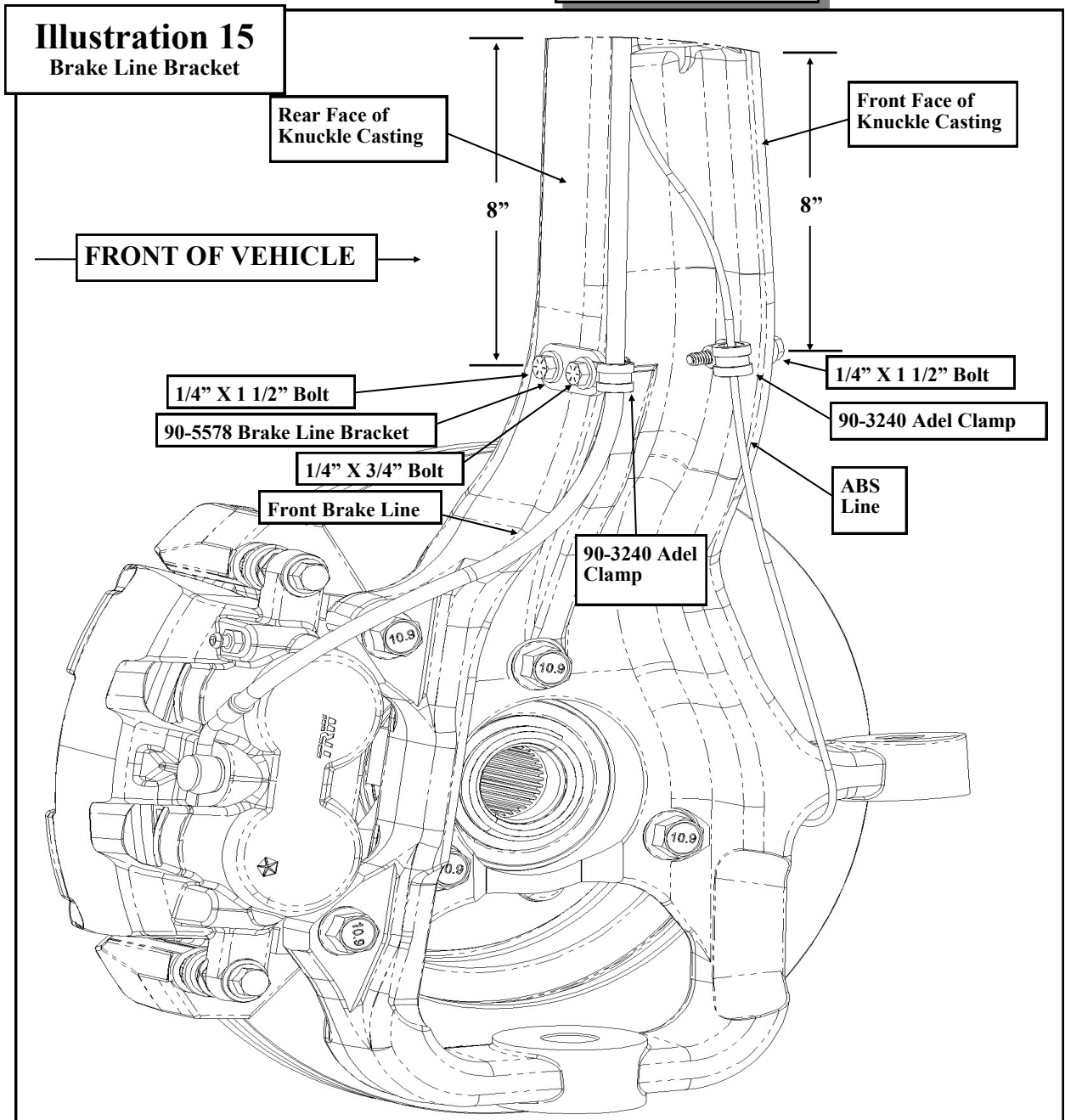
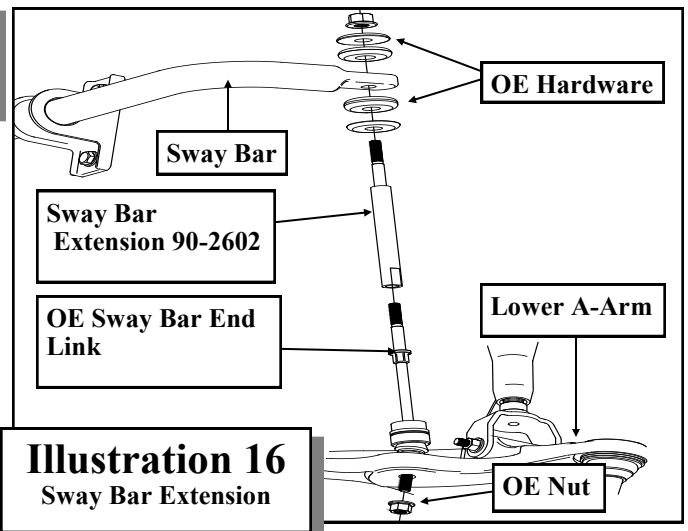
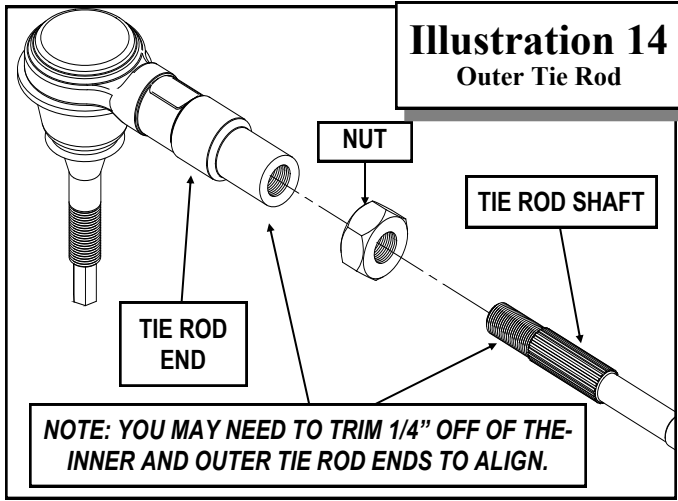
41. Install the (2) supplied 3/8" strut preload spacers (90-7035) on top of the coil spring isolator. See ILLUSTRATION 11.
42. Re-attach the upper strut mount plate using the OE hardware. Torque the upper strut mounting plate retaining nut to 20 ft./lbs. See ILLUSTRATION 11.
43. Decompress the coil spring on the strut assembly. Make sure that the spring is seated correctly into the strut assembly and aligned with the previously scribed index mark on the upper strut mounting plate.
44. **WITH THE STRUT SPACERS:** attach the strut spacer (91-2600) to the top of the strut using the OE hardware. Torque to 30 ft./lbs. Fit the strut assembly and spacer into the stock mounting locations. Fasten using the supplied hardware on the top from hardware pack (90-6317) torque to 45-50 ft./lbs. See ILLUSTRATION 11.
45. Install the OE bolt through the lower strut mount and a-arm. Torque to 125 ft./lbs.
46. Disassemble the OE spindle on your work bench, remove the hub and brake backing plates from the OE spindle by removing the three OE bolts. Save the mounting bolts, bearings, and dust shields for re-use. Discard

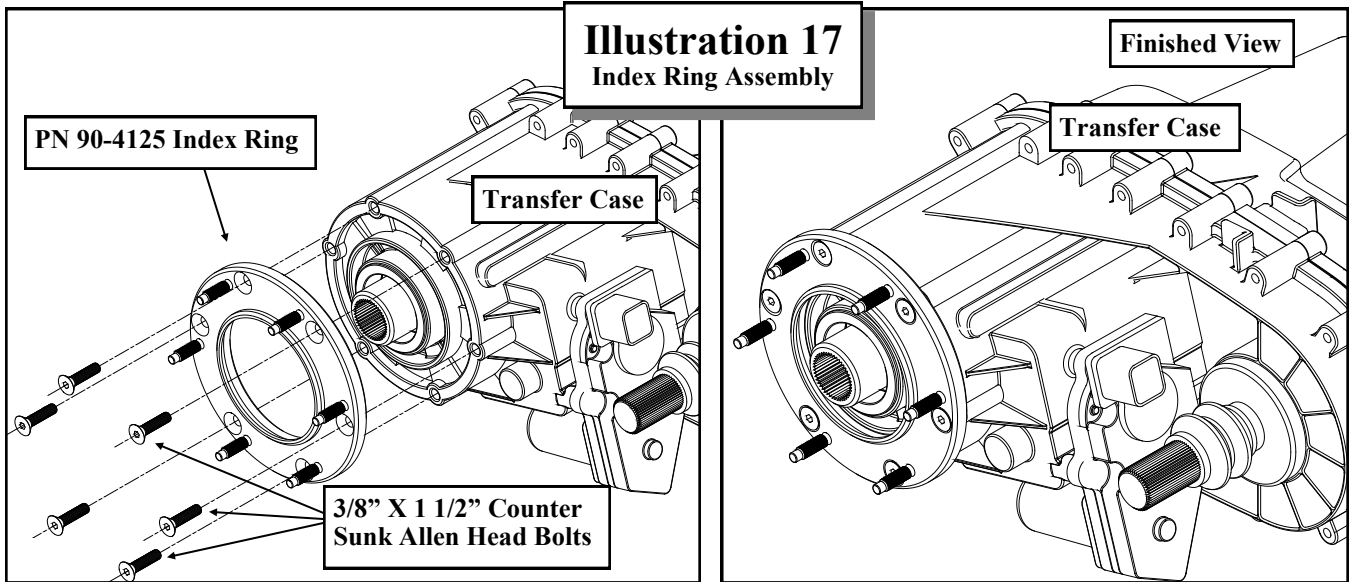
the OE spindles

NOTE: Be very careful with the ABS sensor and wire loom that is attached to the bearing cartridge.

47. Trim the OE dust shields according to the diagram provided. See ILLUSTRATION 13.
48. Reassemble the hub and brake dust shields into the new steering knuckle (90-4138 Driver and 90-4139 Passenger). Make sure that the ABS wiring is oriented in exactly the same position as it came from the OE knuckle and out of the way of the tire.
IMPORTANT: Now would be an excellent time to make sure the bearing is in good condition.
49. Torque the bearing to the







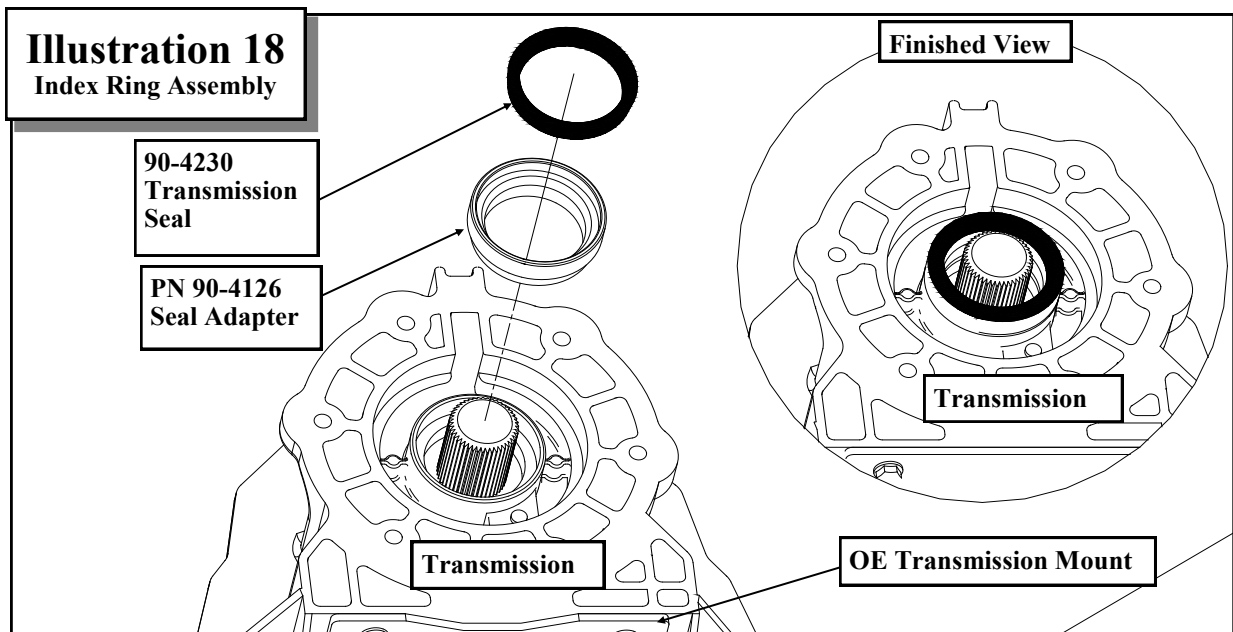
knuckle with the OE bolts. Torque to 125 ft./lbs.

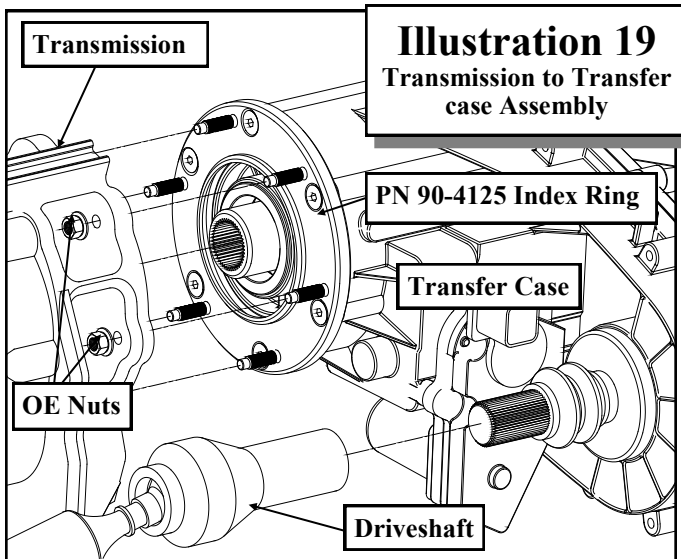
50. Install the assembled knuckle to the lower ball joints using the OE hardware.
51. While leaning the OE spindle outward, very carefully insert the outer CV joint into the wheel-bearing cartridge and slide the inner CV joint into the differential housing. The CV joints are retained on the differential housing by small, round snap rings and sealed with "O" rings. Make sure they are properly inserted.
52. Slide the knuckle on to the top ball joint and torque the upper ball joint to 55 ft./lbs.

Torque the lower ball joint to 60 ft./lbs.
Torque the CV axle retaining nut to 185 ft./lbs.

53. Repeat steps 41 through 47 on the remaining side of the vehicle.
54. Loosen the outer tie rod end jam nut and thread the tie rod end inward five complete turns. Retighten the jam nut and attach the outer tie rod to the inner tie rod.

NOTE: The inner and outer tie rod ends, on both sides, may need to be shortened by 1/4". Measure in 1/4" from the end of the inner and outer tie rods and scribe a line. See Illustration 14. Using a suitable cutting

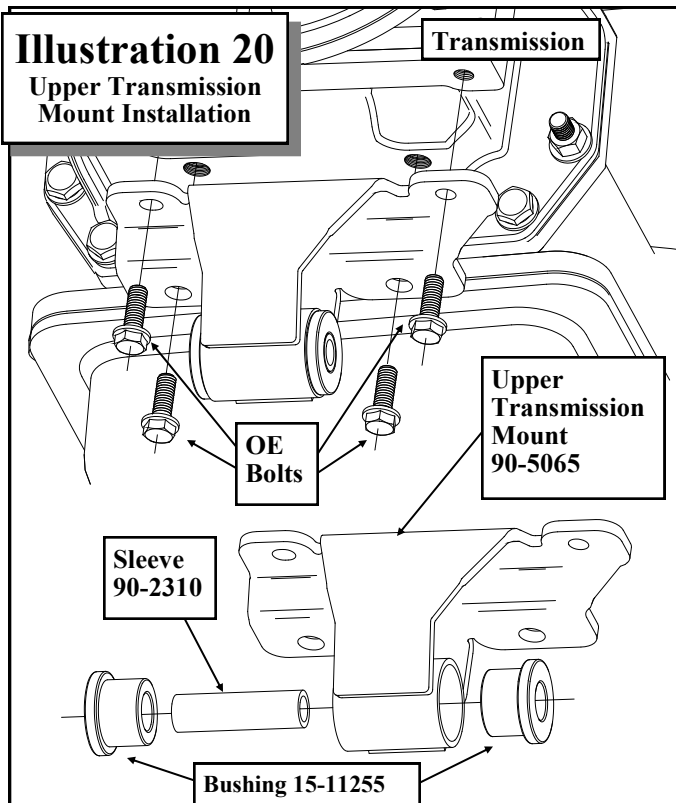




tool, (abrasive cutoff wheel, Sawz-all, etc.) cut the end along the previously marked line. Be sure the cut is made straight and square or else the jam nut will not hold it's torque properly.

IMPORTANT! BE SURE TO BRING THE VEHICLE TO A REPUTABLE ALIGNMENT SHOP TO BE ALIGNED IMMEDIATELY AFTER THE INSTALLATION OF THIS KIT IS COMPLETE.

55. Attach the outer tie rod end to the new steer-



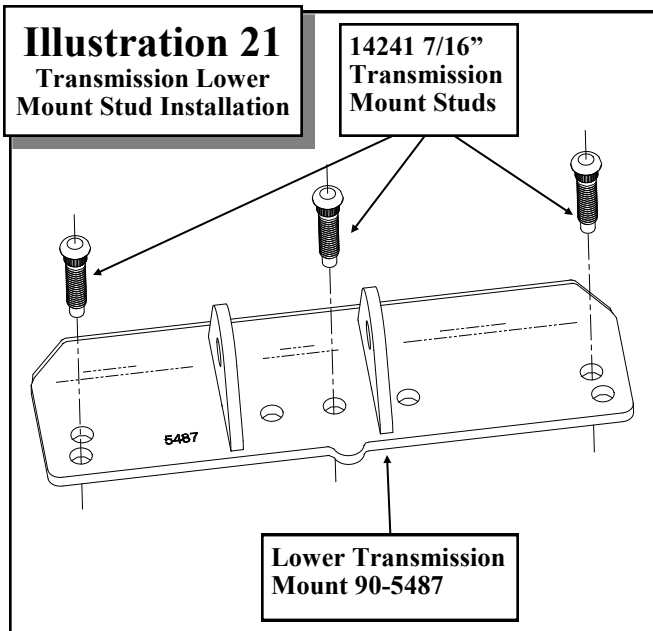
ing knuckle using the OE nut. Torque to 55 ft./ lbs.

IMPORTANT!: *Unlock the steering wheel and cycle the steering from left and right, by grabbing on to the rotor. If you can not, go back and check your work.*

56. Reinstall the disc brake rotors and calipers and torque the calipers to the knuckle to 130 ft./lbs. Be sure to use thread locker on the caliper bolts.
57. At the driver side, unbolt the bracket holding the brake line to the frame. Save the bolt for reuse. Locate the rubber brake hose that runs from caliper to frame. Pinch it closed with vise grips or a small "C" clamp and detach it from the caliper and factory metal line. Plug or cover the caliper opening and remove the brake line from the vehicle.
58. Thoroughly clean all mating surfaces and install the bracket to the existing hole in the frame using the previously removed OE bolt.
59. Install the supplied stainless steel brake line (PN 7525-1). At the upper end of the brake line install the supplied tear drop brake line bracket. Insert the threaded end of the brake line from the outside through factory mounting hole in the frame. Secure the brake line to the frame with the provided brake line jam nut. Attach the Pro Comp brake line to the factory metal brake line and tighten. Install the brake line to the caliper using the factory banjo bolt and new crush washer.
60. Secure the supplied tear drop brake line bracket to the existing hole in the frame using the previously removed OE bolt.
61. Repeat on the remaining side of vehicle.

BLEEDING OF THE BRAKE SYSTEM SHOULD BE DONE ACCORDING TO RAM FACTORY SERVICE MANUAL.

IMPORTANT: BE VERY CAREFUL NOT TO LET THE MASTER CYLINDER RUN DRY! WITH ABS BRAKES THIS SITUATION WILL DAMAGE THE SYSTEM!



62. Measure down 8" from the top of the knuckle on the front face of the casting and scribe a mark.
63. Center punch and drill a 1/4" hole.
64. Measure down 8" from the top of the knuckle on the rear face of the casting and scribe a mark.
65. Center punch and drill a 1/4" hole.
66. Install the brake line bracket (90-5578) to the previously drilled 1/4" hole on the rear face of the knuckle casting using the provided 1/4" X 1 1/2" bolt and hardware. See ILLUSTRATION 15.

NOTE: The brake line bracket should be parallel to the ground when tightened.

67. Place an Adel clamp on the brake line and secure it to the brake line bracket (90-5578) using the supplied 1/4" X 3/4" bolt and hardware. See ILLUSTRATION 15.
68. Place an Adel clamp on the ABS brake line wire loom and secure it to the previously drilled 1/4" hole on the inside of the front face of the knuckle casting using the provided 1/4" X 1 1/2" bolt and hardware. See ILLUSTRATION 15.

IMPORTANT: Move the A-arm assembly up and down to its limits several times to check for binding and to ensure that there are no interference or pinching problems with the brake lines and ABS wiring. At full droop, cycle the steering from lock to lock while observing the reaction of these components. Reposition them if needed.

69. Apply thread locker to the OE sway bar end link threads and install the provided link extension (90-2602). Tighten the extension to the sway bar end link. See ILLUSTRATION 16.
70. Attach the sway bar link extension to the sway bar with the OE bushings and hardware. Tighten the nut until the bushings begin to swell. See ILLUSTRATION 16.
71. Mark the rear driveshaft with an index mark to ensure that it is reinstalled in the same position. Remove the rear driveshaft from the vehicle.

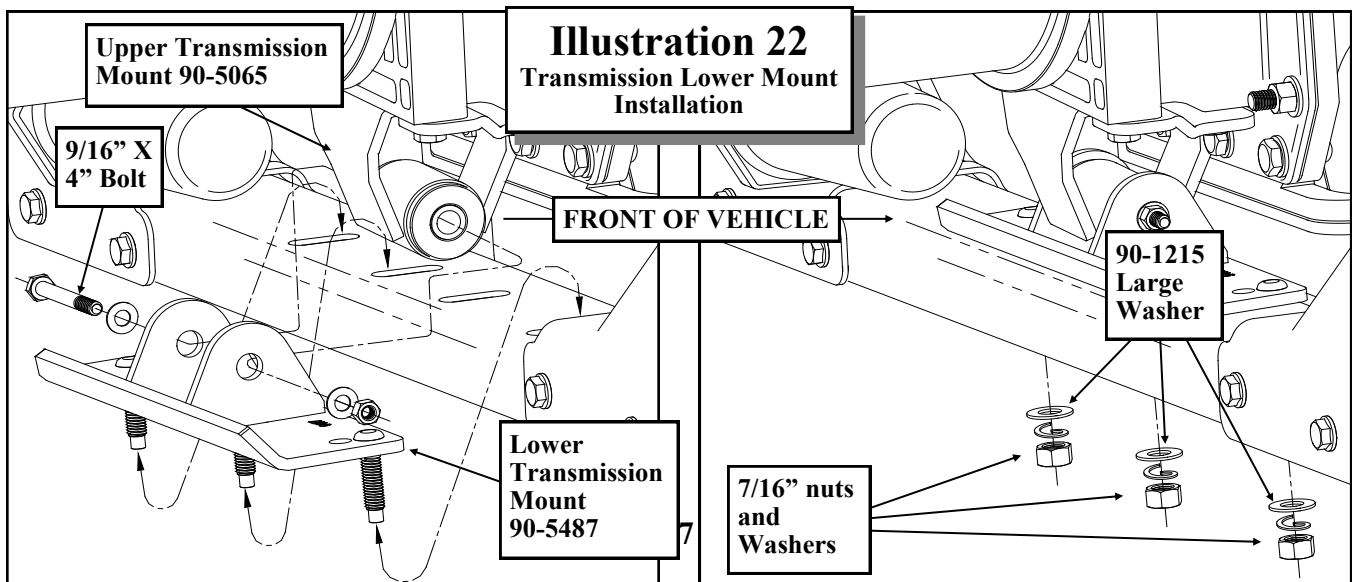
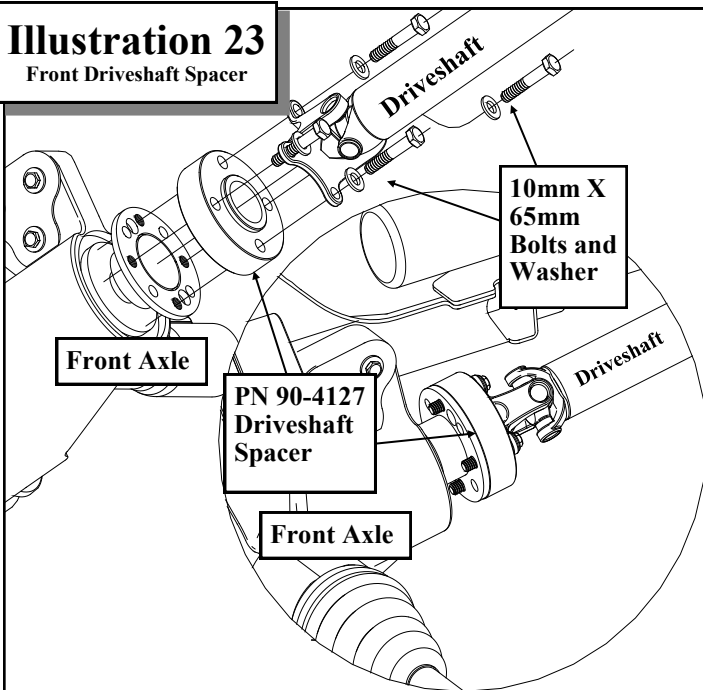


Illustration 23
Front Driveshaft Spacer



72. On some models, in order to remove the transfer case, it may be necessary to disconnect the oxygen sensors and unbolt the exhaust pipes from the manifolds and slide the exhaust back.

NOTE: *Spraying the rubber mounts with lubricant will aid in sliding the exhaust back out of the way.*

73. Drain fluid from the transfer case. Remove the speedometer wire from the rear of the case. Remove the transfer case shift linkage from the transfer case bracket if applicable. Remove the transfer case vent line. Raise the transmission with a transmission or floor jack and remove the transmission mount to access the (2) lower transfer case bolts.

74. Remove the six OE retaining nuts that hold the transfer case to the transmission.

75. Support the transfer case with a transmission or floor jack and remove it from the vehicle.

76. With the transfer case on a bench remove the six studs from the case. Save the OE nuts for reuse.

NOTE: *Now would be a good time to check the condition of the input seal and extension housing seal. Replace them if necessary.*

77. Clean the outside edge of the transfer case being sure to remove all silicone. Make sure the surface is clear of any residue.

78. Line up index ring (90-4125) on the transfer case. The ring will only install one way. With a marker, when all the holes are aligned properly, mark the position of the ring on the transfer case for proper alignment after the silicone is applied.

79. Run a bead of silicone along the mounting face on the transfer case. Be sure not to get any silicone in the bolt holes. Line up the previously marked index lines and install the index ring (90-4125) to the transfer case using the supplied 3/8" X 1 1/2" counter sunk Allen bolts. Torque to 35 ft./lbs. See ILLUSTRATION 17.

NOTE: *Be sure to tighten the index ring evenly all the way around.*

80. Using the proper tool carefully remove the inner transmission seal located at the rear of the transmission.

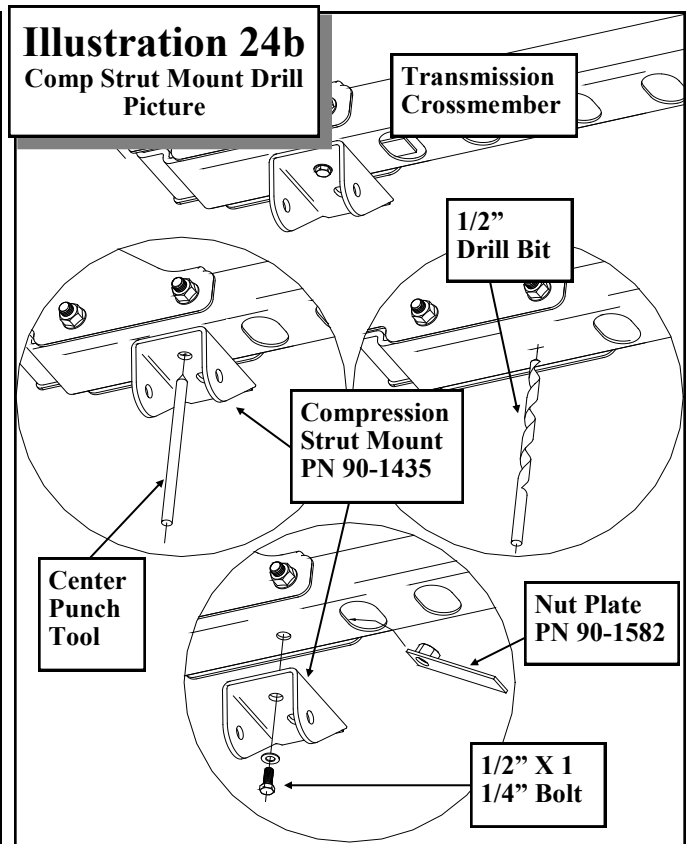
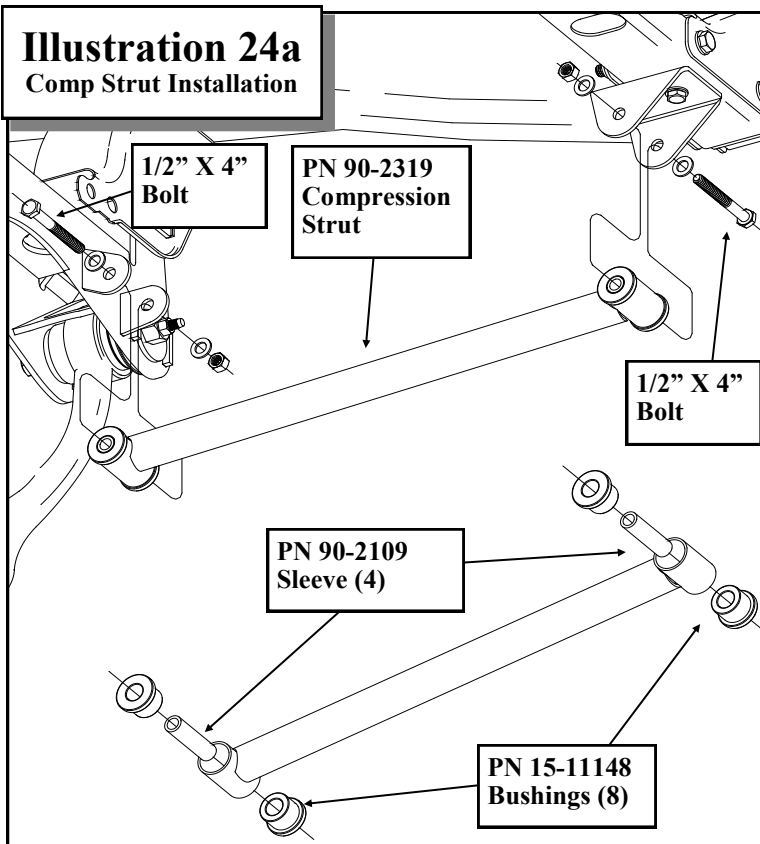
81. Carefully install the supplied seal adapter (90-4126) into the rear of the transmission. It is recommended that a thin layer of silicone is applied on the outside of the adapter so it will slide in with no binding. Using the proper tool install the adapter so it seated is flush with the transmission. See ILLUSTRATION 18.

82. Using the proper tool install the new transmission seal (90-4230) so it is flush in the adapter. See ILLUSTRATION 18.

83. Clean the backside of the transmission mounting surface and run a bead of silicone around the rear outer edge of the transmission mounting surface.

IMPORTANT!: *Before tightening down the transfer case into place be sure install the front driveshaft into the transfer case. See ILLUSTRATION 19. You will not be able to install it after the transfer case is fully installed.*

84. Reinstall the transfer case using a transmission or floor jack. Secure the transfer case to the transmission using the OE nuts. Torque



the OE nuts using a circular pattern in two stages, stage one to 17 ft./lbs. and the second stage to 35 ft./lbs. See ILLUSTRATION 19.

85. Secure front driveshaft to the front axle using the supplied 12mm X 1.75 X 60mm bolts and driveshaft spacer (90-4127), with the raised flange facing toward the rear of the vehicle, on the axle end of driveshaft. Be sure line up previously applied index marks before tightening bolts. Use thread locker on the bolts. Torque to 75 ft./lbs. See ILLUSTRATION 22.

NOTE: On 2008 model vehicles, there may not be enough space to install the drive shaft spacer (90-4127). Measure to see if driveshaft spacer installation is necessary.

86. Assemble the new upper transmission mount (90-2730) using the supplied bushings (15-11255), sleeve (90-2310). See ILLUSTRATION 20.
87. Install the newly assembled upper transmission mount (91-5065) to the transmission using the previously removed OE bolts. See ILLUSTRATION 22.

88. Assemble the new lower transmission mount (91-5487) using the supplied 7/16 inch studs (14241). Carefully tap the studs lightly into the (3) holes specified in ILLUSTRATION 21. Be sure they are started in the holes straight. See ILLUSTRATION 20.

89. Pull the studs securely into place by tightening a 7/16 inch nut down the stud against the mount plate until it is properly seated.
90. Bolt the lower transmission mount (91-5487) to the upper transmission mount using the provided 9/16 inch X 4 inch bolt and hardware. Do not tighten at this time.
91. Lower the transmission and secure the lower transmission mount to the frame using the supplied large washers (90-1215) and 7/16 inch hardware. See ILLUSTRATION 22.
92. Torque all transmission mount hardware according to the chart on page 26.
93. Line up the previously applied index marks and reinstall the rear of the front driveshaft. Use thread locker on the bolts. Torque bolts to manufacturers specifications.

94. Reconnect all vent hoses, vacuum lines, and shift linkage. Be sure to reconnect all lines exactly as they came from the factory. There must be no pinching, rubbing, or stretching of any of these components.
95. Refill the transfer case with fluid. See factory manual for instructions.
96. If necessary, slide the exhaust back forward and bolt it back up to the manifolds. Torque exhaust bolts to factory specifications. Reconnect the oxygen sensor wiring harnesses.
97. Install the bushings (15-11148) and sleeves (90-2109) from hardware pack (90-6263) into the compression struts (91-2319). See ILLUSTRATION 24a.
98. Bolt the compression strut mount (91-1435) to the compression strut using the supplied 1/2" X 4" bolt and hardware. See ILLUSTRATION 24a.
99. Rotate the compression strut up to contact the transmission crossmember. Use the bracket as a template and mark the transmission crossmember for drilling. See ILLUSTRATION 24a.
100. Carefully lower the compression strut from the transmission crossmember.
101. Center punch and drill out the previously applied marks in the transmission crossmember to 1/2". See ILLUSTRATION 24b.
102. Rotate the compression strut up to the transmission crossmember. Secure the mount to the drilled holes in the transmission crossmember using the supplied 1/2" X 1 1/2" bolt and nut plate (90-1582). See ILLUSTRATION 24b.
103. Torque the compression strut hardware to 65 ft./lbs.
104. Repeat these steps on the remaining side of the vehicle. ⚙
105. On both sides of the vehicle, check the routing of the brake lines and the ABS wire harnesses. There must be no pinching, rubbing, or stretching of either component. Use zip ties to secure these items to the steering components. At full droop, cycle the steering

from lock to lock while observing the reaction of these components. Reposition them if needed.

106. Install your wheels and tires and lower the vehicle to the ground. Tighten the lug nuts to 90 ft./lbs.
107. With the vehicle on the ground torque the lower control arm bolts to 125 ft./lbs.
108. Recheck for proper installation and torque, all newly installed hardware.

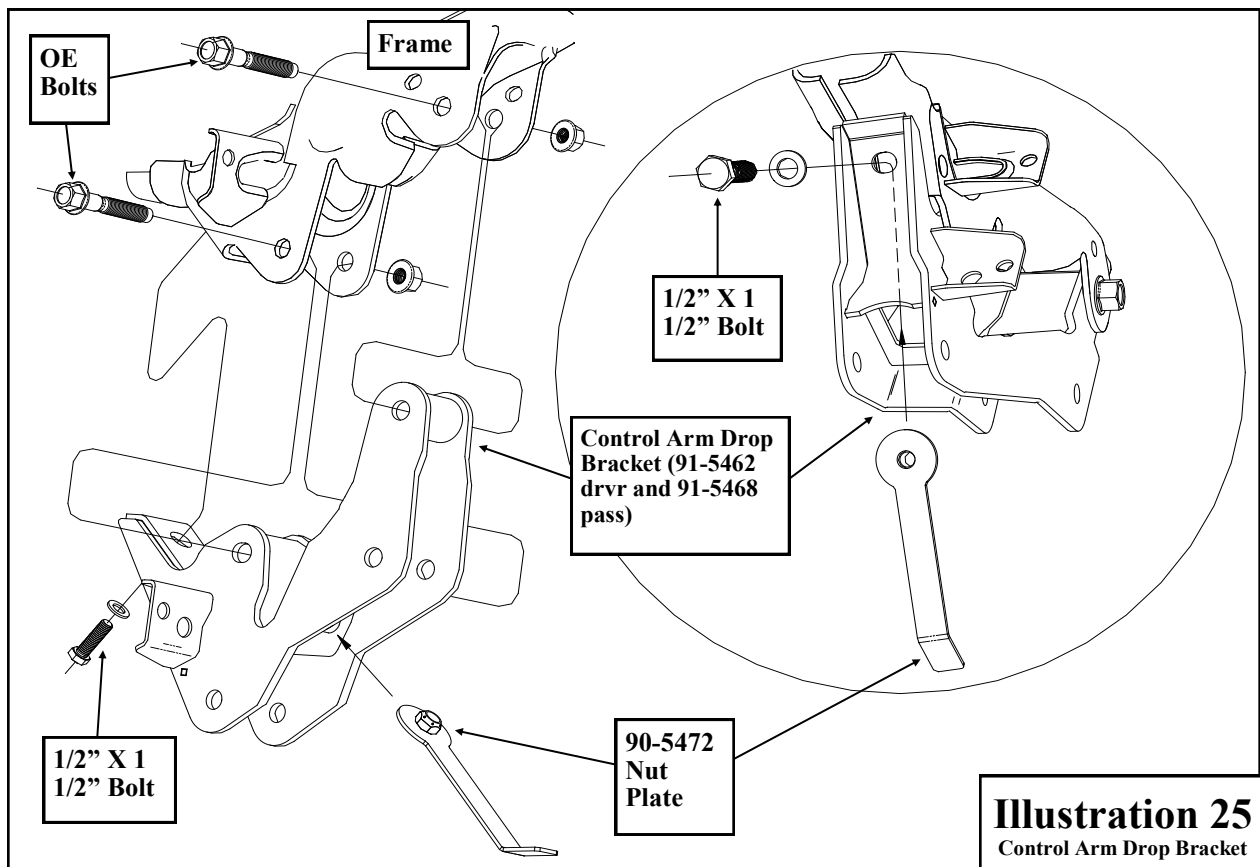
IMPORTANT! BE SURE TO BRING THE VEHICLE IMMEDIATELY TO A REPUTABLE ALIGNMENT SHOP TO BE ALIGNED.

NOTES:

- ⇒ After 100 miles recheck for proper torque on all newly installed hardware.
- ⇒ Have your headlights adjusted.
- ⇒ Recheck all hardware for tightness after off road use.

Rear Installation

1. Block the front tires and raise the rear of the vehicle. Support the frame with jack stands forward of the rear springs.
2. Remove the wheels and tires.
3. Unbolt the brake line brackets from the frame. Save the hardware for reinstallation.
4. Remove the shocks on both sides of the vehicle. It may be necessary that you slightly raise the axle to unload the shocks for removal. Save the hardware for reinstallation.
NOTE: Use the supplied wrench (96-5545) to remove the upper shock hardware.
NOTE: You may need to remove the 8MM bolt on the splash shield to access the top bolt on the drivers side.
5. Disconnect the sway bar end links and remove them from the vehicle. The end links will not be reused.
6. Remove the disc brake calipers and secure them clear of the work area. Save the hardware for reinstallation.
NOTE: Be careful that you do not hang the caliper from the brake lines, it will cause
7. **damage to the brake lines!**
7. Unbolt the track bar from the rear axle mount and secure up and out of the work area. Save the hardware for reinstallation.
8. Carefully lower the rear axle enough to remove the coil springs from the rear spring pockets. Save the factory isolators for reinstallation.
NOTE: Be sure to support the rear axle while the springs and shocks are removed.
9. Loosen the upper and lower control arm to axle brackets bolts, but **DO NOT** remove. Unbolt and remove the upper and lower control arm to frame bracket bolts. Save the hardware for reinstallation.
NOTE: Be sure to support the axle while the control arms are removed.
10. Install the control arm drop bracket (91-5462 **drv**r and 91-5468 **pass**) into control arm frame mounting pockets using the previously removed OE control arm bolts. Secure the front of the bracket to the frame using the supplied nut plate (90-5472) and 1/2" X 1 1/2" bolt and hardware. See ILLUSTRATION 25.



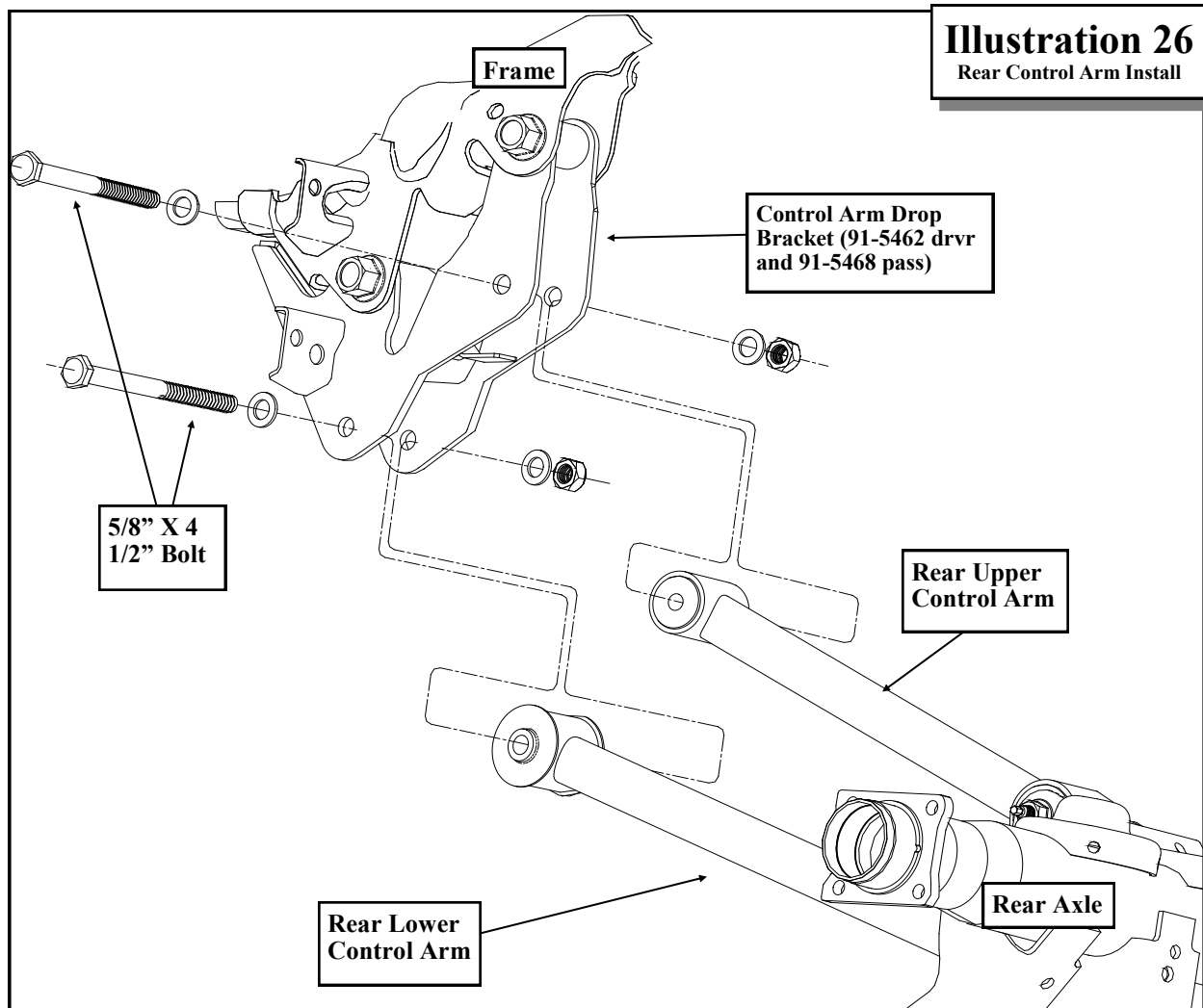


Illustration 26
Rear Control Arm Install

11. Torque the OE control arm drop bracket bolts to 175 ft./lbs. Torque the 1/2" bolt and hardware according to the torque chart on page 24.
12. Reinstall the upper and lower control arms into the control arm drop bracket using the supplied 5/8" X 4 1/2" bolts and hardware. See ILLUSTRATION 26. Do not torque at this time.
13. Repeat the previous steps 3 through 12 on the passenger side of the vehicle.
14. **ON DRIVER SIDE ONLY**, Install the rear coil spacer bracket (91-5474 drvr and 91-5479 pass) single rear retaining 7/16" X 1" bolt and washer into the bump stop axle pad. See ILLUSTRATION 27.

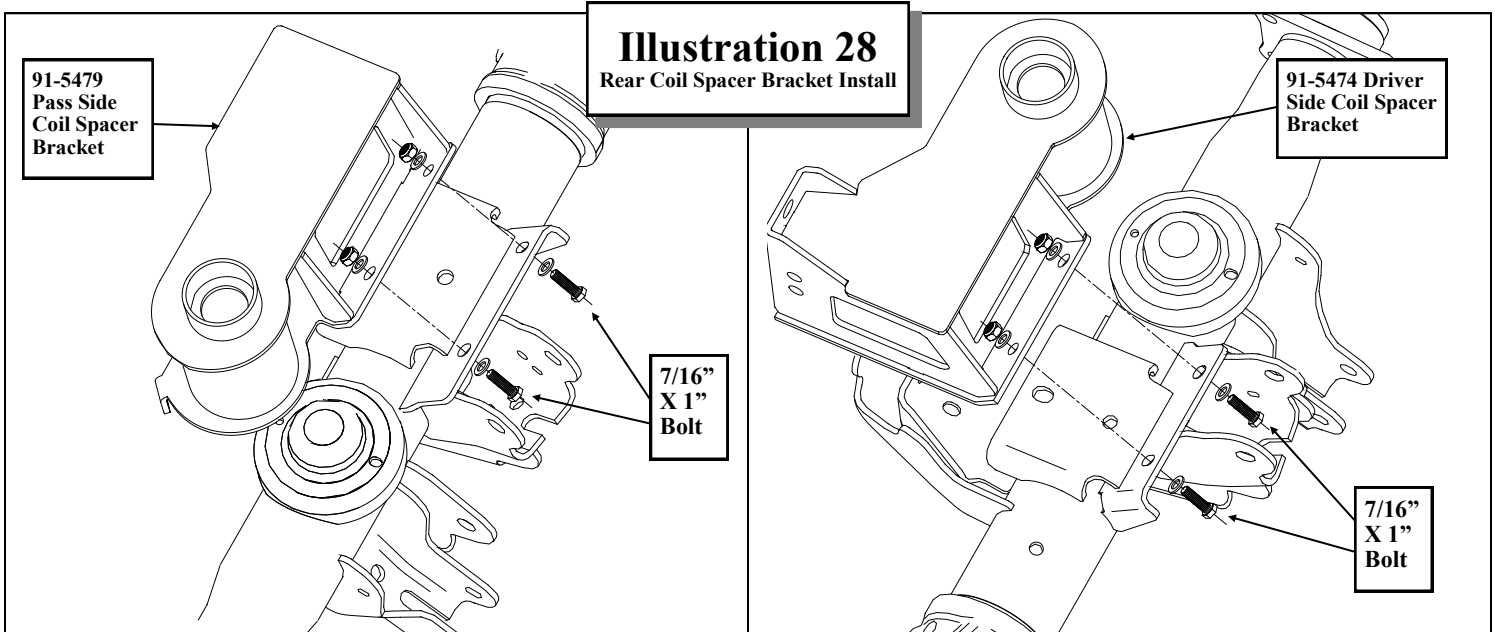
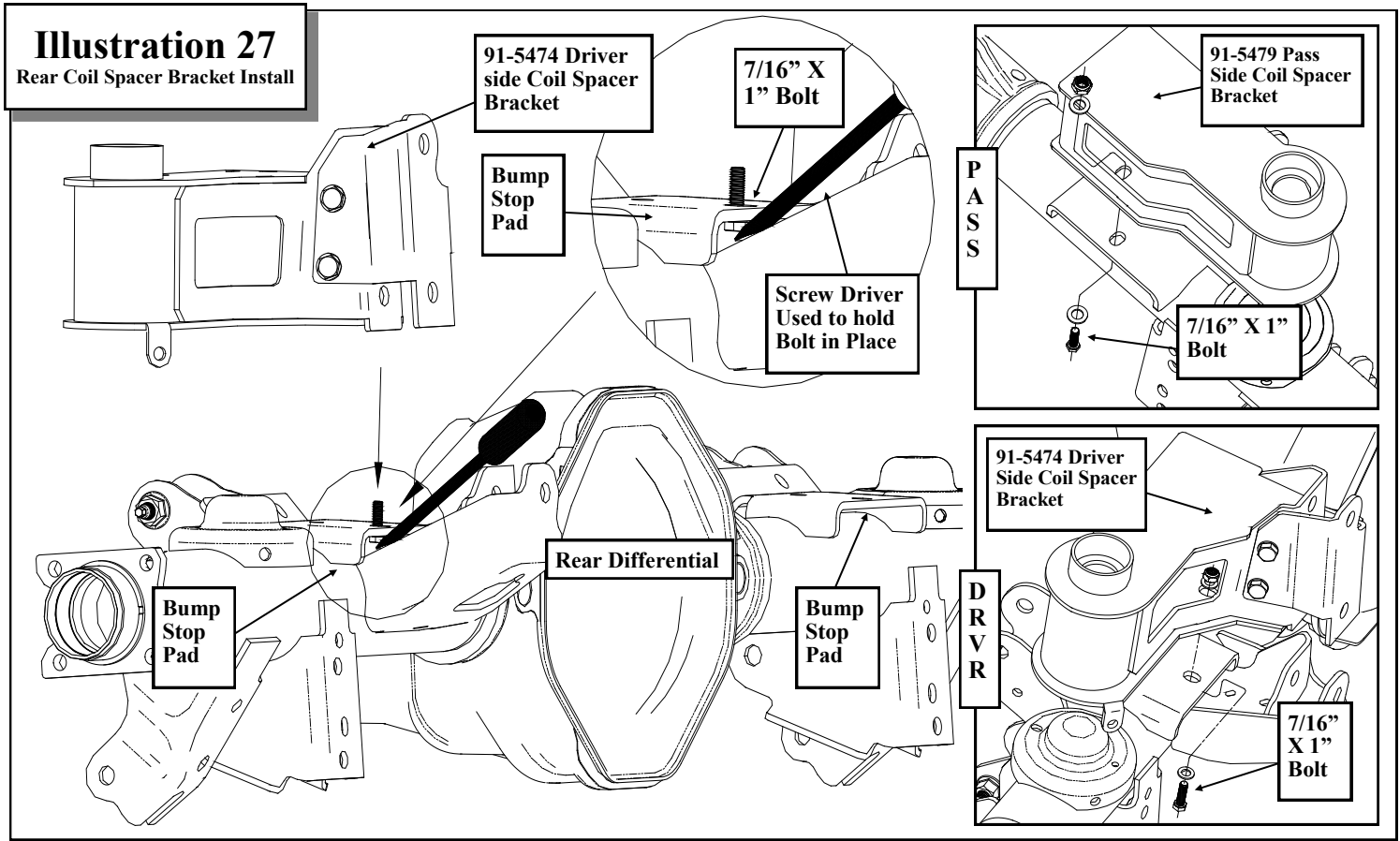
NOTE: Due to limited access, it may be helpful to wedge a screwdriver under the bolt to hold it in place while installing the

bracket.

NOTE: Before installing the coil spacer brackets (91-5474 drvr and 91-5479 pass) scrape off any excess weld splatter from the bump stop pad using a flat blade screw driver or chisel. This will ensure a proper fit of the brackets.

15. Install the rear coil spacer bracket (91-5474 drvr and 91-5479 pass) onto the rear axle bump stop pad. Secure the rear coil spacer bracket (91-5474 drvr and 91-5479 pass) to the rear axle bump stop pad using the (3) 7/16" X 1" bolt and hardware. See ILLUSTRATION 28. Tighten the front (2) bolts before tightening the rear bolt.

NOTE: **ON DRIVER SIDE ONLY**, secure the previously installed 7/16" X 1" bolt using the supplied 7/16" hardware. Remove the screw driver and tighten the bolt. See ILLUSTRATION 28.



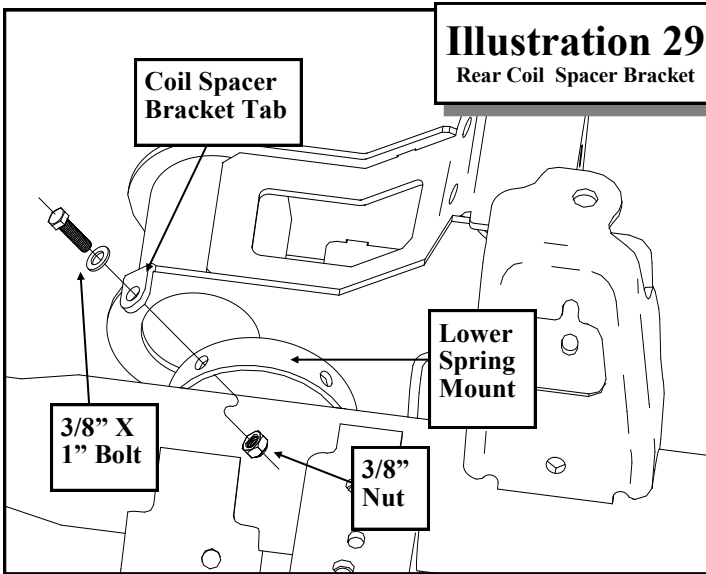


Illustration 29
Rear Coil Spacer Bracket

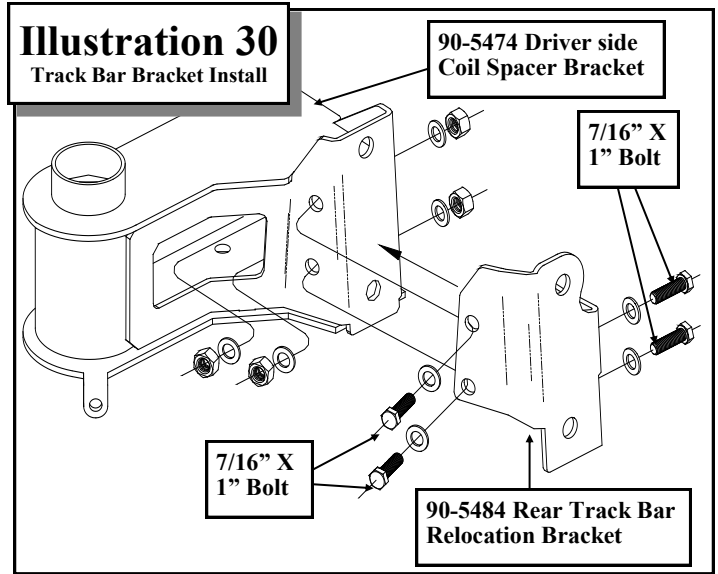


Illustration 30
Track Bar Bracket Install

- Secure the tabs on the rear coil spacer bracket (**91-5474 drvr** and **91-5479 pass**) to the existing hole in the lower coil bucket using the supplied **3/8" X 1"** and hardware. See ILLUSTRATION 29.

NOTE: *The use of a washer on the inside of the lower coil mount will not allow the nut to be tightened securely.*

- Torque all the coil spacer bracket hardware according to the torque chart on page 26.
- Repeat the previous steps 15 through 17 on the passenger side of the vehicle.
- Install the track bar bracket (**91-5484**) onto the driver side rear coil spacer bracket (**91-5474**) using the supplied (4) **3/8" X 1"** bolts and hardware in the side holes and the OE

bolt and spacer (**90-2521**) in the lower hole. See ILLUSTRATION 30 & 31.

- Install the OE rear track bar to the rear axle track bar relocation bracket (**91-5484**) using the supplied **9/16" X 3"** bolt and hardware. Do not tighten the track bar bolt at this time. See ILLUSTRATION 31.
- Torque the OE track bar bracket bolt to **130** ft./lbs. Torque the **3/8"** track bar bracket bolts and hardware according to the chart on page 26.
- On both sides of the vehicle support the rear end with a jack and carefully lower the rear end to ease in the previously removed OE coil spring installation. Using the factory isolators install the OE coil springs into the up-

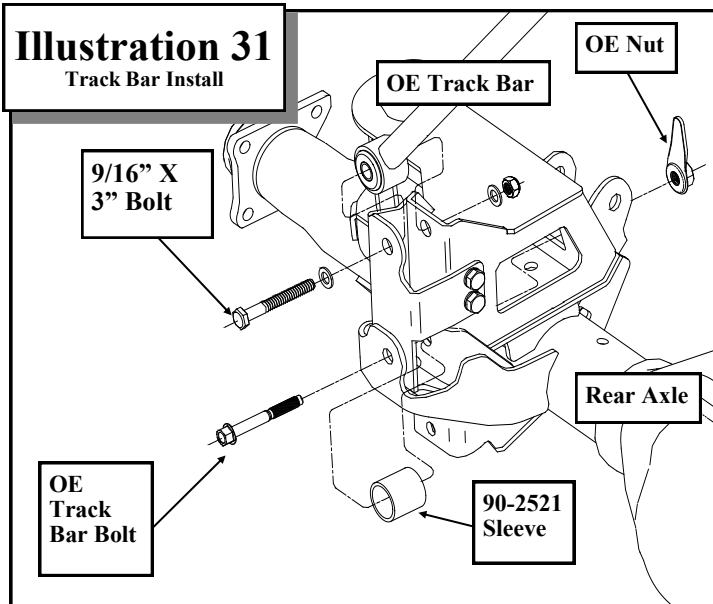


Illustration 31
Track Bar Install

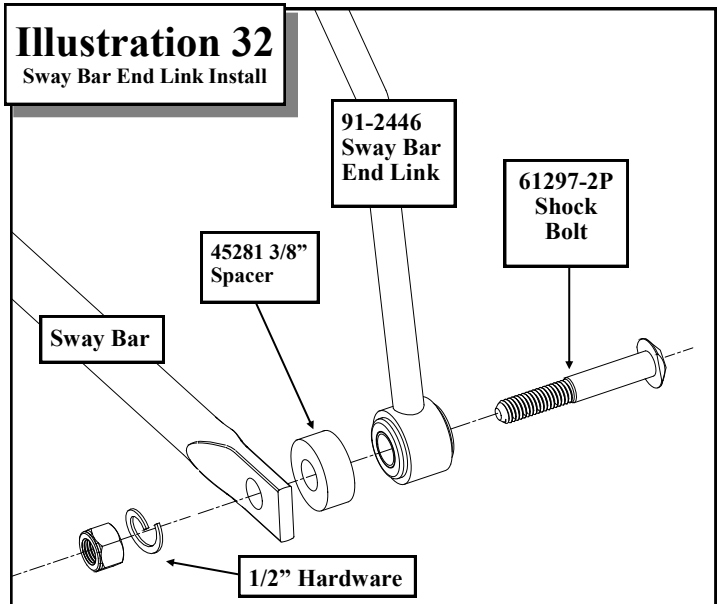
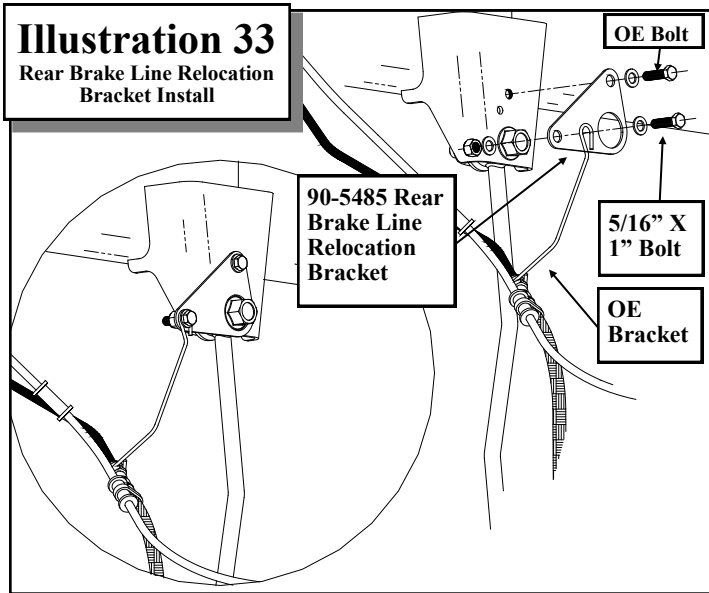


Illustration 32
Sway Bar End Link Install



using the supplied **5/16" X 1"** bolt and hardware. See ILLUSTRATION 32.

29. Reattach the brake calipers to their mounting brackets using the previously removed **OE** bolts. Torque according to factory specifications.
30. Repeat the previous steps **22** through **29** on the passenger side of the vehicle.

IMPORTANT: Move the control arm assembly up and down to its limits several times to check for binding and to ensure that there are no interference or pinching problems with the brake lines and/or ABS wiring.

31. On both sides of the vehicle, check the routing of the brake lines and the ABS wire harnesses. There must be no pinching, rubbing, or stretching of either component. If necessary use zip ties to secure these lines out of the way and to keep from contacting any moving parts. Reposition them if needed.
32. Reinstall the wheels and tires and lower the vehicle to the ground. Torque the lug nuts to manufacturers specifications.
33. With the vehicle on the ground torque the **5/8"** upper and lower front control arm bolts according to the torque chart on page **26** and the **OE** upper and lower rear bolts to **175** ft/lbs.
34. Torque the **9/16"** track bar axle mounting bolt to **130** ft./lbs.
35. Recheck the wheel lug torque on all four wheels at this time.
36. Recheck all hardware for proper installation and torque at this time. ⚠

per spring buckets and lower bracket spring perch. Raise the rear axle into place. Make sure the coil spring seats properly on the rear coil spacer bracket.

23. Install your new Pro Comp shocks (**MX6165** w/shaft up or **930001** w/shaft up) and torque the **OE** hardware to **95** ft./lbs.
NOTE: Use the supplied wrench (**96-5545**) to install the upper shock hardware.
24. Assemble the rear sway bar end links (**91-2446**) using the supplied bushings (**600006** lower and **600040** upper) and (**upper T-Sleeve**) from hardware pack (**90-6695**). See ILLUSTRATION 32.
25. Install the rear sway bar end link (**91-2446**) upper end into original mounting brackets on the frame. Secure using the previously removed **OE** bolts and **1/2"** flat washers. Torque according to factory specifications. See ILLUSTRATION 33.
26. Secure the lower end link mount to the sway bar using the supplied shock stud (**61297-2P**), **3/8"** spacer (**90-45281**) and **1/2"** lock washer and nut. Torque according to the torque chart on page **26**. See ILLUSTRATION 32.
27. Install the supplied rear brake line drops (**90-5485**) using the previously removed **OE** bolts. See ILLUSTRATION 33.
28. Bolt the factory brake line bracket to the newly installed rear brake line drop (**90-5485**)

NOTES:

- ⇒ After **100** miles recheck for proper torque on all newly installed hardware.
- ⇒ Have your headlights adjusted.
- ⇒ Recheck all hardware for tightness after off road use.

NOTE: If the rear of you truck sits too high, kit (91-7175B) can be purchased separately and used to lower the rear of your 09-UP RAM 1500 by an 1 1/4". The contents of the kit will replace the (3) rear coil spacer components in 56747B-5 (91-5474, 91-5479 and 91-5484) with (91-7175, 91-7178 and 91-7181) .

- 5.9.11: Added note about the availability of the 1 1/4” alternate rear lowering kit (91-7175B) to the options box and page 25.
- 11.15.11: Upgraded kit and brake line fitment to 2012. Removed hardware pack 90-6223 and bump stop drop 91-3607 from box 1.
- 9.23.12: Changed tire information to 56748 tire information.
- 10.5.12: Updated the tire and wheel information.
- 12.4.12: Removed the brake line instructions from page 27. Added brake line bracket installation illustration #15 to pg.13 and the text instruction steps 61-63.
- 12.7.12: Removed the transfer case notes from the cover page.
- 1.8.15: Added 90-60020 to BOM box-2, steps 62-68 and illustration 15 for front brake line bracket and abs knuckle location. Removed Dodge from manual.
- 7.29.21: Added K2075BP/ T/ M

Use this only as a guide for hardware without a called out torque specification in the instruction manual.

Bolt Torque and ID						
Decimal System			Metric System			
All Torques in Ft. Lbs. Maximums						
Bolt Size	Grade 5	Grade 8	Bolt Size	Class 9.8	Class 10.9	Class 12.9
5/16	15	20	M6	5	9	12
3/8	30	45	M8	18	23	27
7/16	45	60	M10	32	45	50
1/2	65	90	M12	55	75	90
9/16	95	130	M14	85	120	145
5/8	135	175	M16	130	165	210
3/4	185	280	M18	170	240	290

<p>1/2-13x1.75 HHCS</p>	<p>Grade 5 Grade 8 (No. of Marks + 2)</p>	<p>M12-1.25x50 HHCS</p>	<p>10.9</p>
<p>G = Grade (Bolt Strength) D = Nominal Diameter (Inches) T = Thread Count (Threads per Inch) L = Length (Inches) X = Description (Hex Head Cap Screw)</p>		<p>P = Property Class (Bolt Strength) D = Nominal Diameter (Millimeters) T = Thread Pitch (Thread Width, mm) L = Length (Millimeters) X = Description (Hex Head Cap Screw)</p>	



The PRO COMP PROMISE WARRANTY

At Pro Comp, we know you have many choices when selecting products to personalize your vehicle. You should demand nothing but the highest quality available and have total confidence that the products you selected are the best in the industry. It is for these reasons that Pro Comp Suspension products are backed by the best warranty in the industry...the Pro Comp Promise!

Pro Comp promises that its products will last a lifetime or we will replace it free of charge. It's that simple! Because of our commitment to quality and manufacturing excellence, we are able to stand behind our products. FOREVER.

It is Pro Comp's Promise that if one of our suspension products breaks not due to misuse, neglect or vandalism, we will replace it. Whether you are the original purchaser or not, you can be assured that we will make it right. The Pro Comp Promise covers all suspension products including shocks and steering stabilizers. Buy Pro Comp Suspension today and enjoy it for the rest of your life!

That's our Pro Comp Promise!

Notice to Owner, Operator, Dealer and Installer:

Vehicles that have been enhanced for off-road performance often have unique handling characteristics due to the higher center of gravity and larger tires. This vehicle may handle, react and stop differently than many passenger cars or unmodified vehicles, both on and off-road. You must drive your vehicle safely! Extreme care should always be taken to prevent vehicle rollover or loss of control, which can result in serious injury or even death. Always avoid sudden sharp turns or abrupt maneuvers and allow more time and distance for braking! Pro Comp reminds you to fasten your seat belts at all times and reduce speed! We will gladly answer any questions concerning the design, function, maintenance and correct use of our products.

Please make sure that the Dealer / Installer explains and delivers all warning notices, warranty forms and instruction sheets included with Pro Comp product.

Warranty and Return Policy:

Pro Comp warranties its full line of products to be free from defects in workmanship and materials for the life of the product. Pro Comp's obligation under this warranty is limited to repair or replacement, at Pro Comp's option, of the defective product. Any and all costs of removal, installation, freight or incidental or consequential damages are expressly excluded from this warranty. Pro Comp is not responsible for damages and / or warranty of other vehicle parts related or non-related to the installation of Pro Comp product. A consumer who makes the decision to modify his vehicle with aftermarket components of any kind will assume all risk and responsibility for potential damages incurred as a result of their chosen modifications. Warranty coverage does not include consumer opinions regarding ride comfort, fitment and design. Warranty claims can be made directly with Pro Comp or at any factory authorized Pro Comp dealer.

IMPORTANT! To validate the warranty on this purchase please be sure to mail in the warranty card.

Claims not covered under warranty

* Parts subject to normal wear; this includes bushings, bump stops, ball joints, tie rod ends and heim joints.

* Finish after 90 days.

* Damage caused as a result of not following recommendations or requirements called out in the installation manuals.

Pro Comp MX Series coil-over shocks are considered a serviceable shock with a one-year warranty against leakage only. Rebuild service and replacement parts will be available and sold separately by Pro Comp. Contact Pro Comp for specific service charges. Pro Comp accepts no responsibility for any altered product, improper installation, lack of or improper maintenance or improper use of our products.

E-Mail: info@procompusa.com
Website: www.procompusa.com
Fax: (310) 747-3912
Ph: 1-800-776-0767

PLACE
WARRANTY REGISTRATION
NUMBER
HERE: _____